

For more information, please click

<https://sunsharetek.com>



iOS



Android

SUNSHARE TECHNOLOGY CO., LTD.

Add: Building A, No. 2999 Jiyin Avenue, Jiangning  
District, Nanjing, P. R. China.



# SUNSHARE

## Sunshare Glory Balcony Micro Storage System User Manual



Sunshare Technology Co., Ltd.

## Disclaimer

Please read all safety guidelines, warnings, and other product information in this manual carefully, and read any labels or stickers attached to the product before using. Users are fully responsible for the safe usage and operation of this product. Make sure you are familiar with the relevant regulations in your area. It is your sole responsibility to ensure compliance with these regulations while using Sunshare products.

## Content

1.Safety Instruction	2
2. What's in the Box	5
3. Overview	6
4. Installation Sunshare Glory	8
5. Download & Register	15
6. Maintenance	19
7. Specifications	21

# 1. Safety Instruction

## 1.1 Safety Guide

1. Please carefully read all current documentation before installing, using, or servicing the product, as documentation may be updated over time.
2. Please check whether the product is damaged, cracked, leaking liquids, becoming hot, or exhibiting other abnormalities, and check any cables for damage before operating. If there are any problems, please stop using the product immediately and contact our customer service.
3. Do not place heavy objects on top of the product.
4. Make sure all cords and plugs are intact and dry before connecting to avoid electric shock.
5. Do not install or operate the system under extreme climatic conditions such as lightning, snow, heavy rain, strong winds, etc.
6. To reduce the risk of injury, close supervision is necessary when the product is used near children.
7. Keep hands and fingers away from the product's internal components.
8. For safety purposes, please use only the original charger and cables designed for the equipment. We are not liable for damage caused by third-party equipment, and this may render your warranty invalid.
9. Maintain a minimum clearance of 50mm between the product and any surrounding objects.
10. During the operation of the solar energy system, avoid direct sunlight to prevent the product from overheating. Do not place the product near any heat source.
11. Please install the product according to our user manual to avoid damage to the product or injury to other people.
12. Do not use this product near strong static electricity or strong magnetic fields.
13. Do not place the equipment in an environment with flammable or explosive compounds, gas, or smoke. Since the product relies on the shell to dissipate heat, exposing the enclosure to excessive heat will lead to damage.
14. To reduce the risk of damage to the electric cords and connectors, pull the connectors rather than the cord when disconnecting the product.
15. Do not use the product in excess of its output rating. Overloads may result in a risk of fire or injury to persons.
16. Do not use any products or accessories that are damaged or modified. Damaged or modified batteries may exhibit unpredictable behavior, resulting in fire, explosion, or risk of injury.
17. Do not operate the product with a damaged cord or plug, or a damaged output cable.
18. Do not disassemble the product. Take it to a qualified service person when service or repair is required. Incorrect reassembly may result in a risk of fire or electric shock.
19. Do not expose the product to fire or high temperatures.

20. Do not attempt to replace the internal components of the equipment by any unauthorized personnel. Have servicing performed by a qualified repair person using only identical replacement parts. This will ensure that the safety of the product is maintained.
21. The product has a protection level of IP65, so the product cannot be immersed in liquids. If the product accidentally falls into the water during use, please place it in a safe and open area and stay away from it until it is completely dry. The dried product should not be used again and should be properly disposed of according to the disposal guidelines in this manual.
22. The product may feel warm when it's working. This is a normal operating condition and should not be a cause for concern.
23. To reduce the risk of electric shock, disconnect the solar photovoltaic panels, batteries, and home grid before attempting any instructed servicing.
24. When charging the battery, work in a well-ventilated area and do not restrict ventilation in any way, as inadequate ventilation may cause permanent damage to the equipment.
25. Do not clean the product with harmful chemicals or detergents. Only clean it with a dry cloth.
26. Do not move or shake the unit while operating, as vibrations and sudden impacts may lead to poor connections to the hardware inside.
27. Ensure that the product and the batteries are installed securely to avoid accidents and product damage caused by falling.
28. In case of a fire, only a dry powder fire extinguisher is suitable for this product.
29. Servicing of batteries should be performed or supervised by personnel knowledgeable about batteries and the required precautions.






## 1.2 Disposal Guide

1. Fully Discharge the Battery (if possible): Before disposal, ensure the battery is fully discharged. This can reduce potential hazards. Always refer to local laws and guidelines for battery recycling and disposal procedures.
2. Handling Failed Batteries: If the battery cannot be fully discharged due to malfunction or product failure, consult a licensed battery recycling facility or professional for proper and safe handling.
3. Segregation of Battery Types: Ensure batteries or cells from different electrochemical systems (e.g., lithium-ion, nickel-metal hydride) are disposed of separately. Mixing different types of batteries can lead to chemical reactions or safety risks.
4. Avoid Physical Damage: Do not expose the battery to physical impacts, punctures, or high temperatures during disposal, as it may lead to leakage, fire, or explosion.
5. Follow Local Regulations: Always adhere to local regulations and guidelines for battery disposal, as improper handling can harm the environment and violate legal requirements.

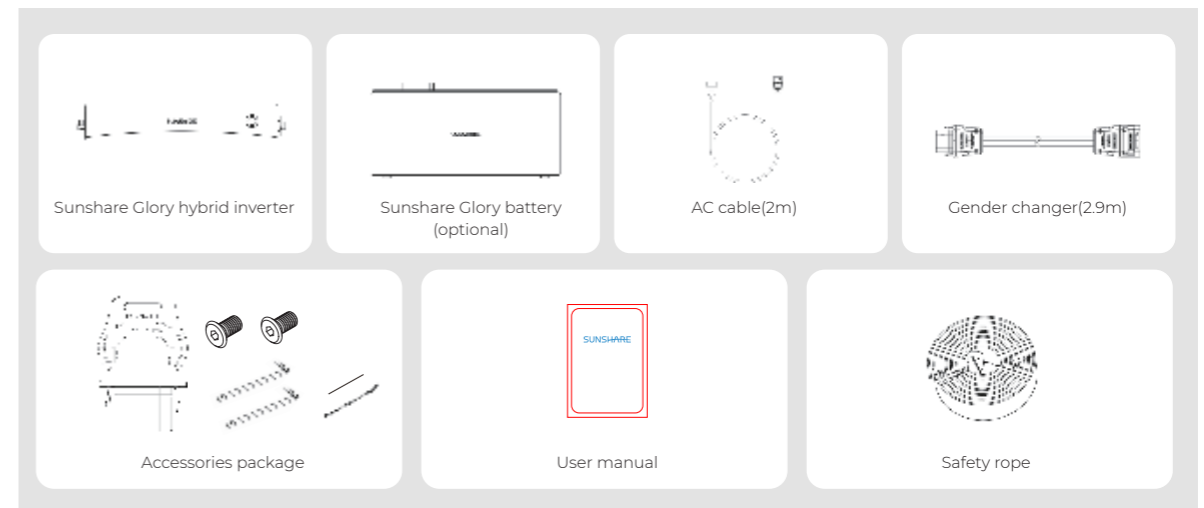
### 1.3 Important Tips

1. Grid-tied Regulation: The solar PV system is grid-tied. Please check if it is allowed in your area.
2. Protect from Direct Sunlight: Ensure that the Sunshare Glory is placed in a shaded area to avoid rapid temperature increases that could affect performance.
3. Accessory Check: Verify the necessary accessories prior to installation, as some may need to be purchased separately.
4. Download the iShareCloud Official App: After installation, download the iShareCloud Official app to unlock additional smart features and remote control options.
5. Grid Connection Time: Once installation and the initial startup are complete, allow approximately 1 minute for Sunshare Glory to connect to the grid.
6. Set Safe AC Output: Use the iShareCloud Official app to configure the AC output for home use. Ensure the output complies with your country or region's safety power limits to prevent overloads.
7. Shutdown Procedure: Before removing the Sunshare Glory, press and hold the button for 3 seconds to turn off the device, and disconnect all power cables for safety.
8. Product Stacking Capacity Expansion: When stacking battery packs, hot-plugging operations are strictly prohibited. Please stack the battery packs for capacity expansion only after ensuring the device is completely powered down and all cables are disconnected.
9. Moving the Device Outdoors for Use: The product can be relocated outdoors as an off-grid power source. Prior to moving, ensure the device is powered down and all power cables are disconnected before detaching the battery pack(s) and transporting the unit.
10. Off-Grid Outlet Safety: (1) When using the off-grid outlet function of the inverter, protect the outlet from rain and water intrusion to prevent electrical hazards; (2) After using the off-grid outlet, immediately close the protective cover to prevent rain and dust from entering the inverter.
11. Machine Fault Handling: When a fault occurs, first power off and restart the device. If the issue persists after restarting, contact Sunshare customer service or your authorized technician for assistance.
12. Optimal Operating Conditions: It is recommended to use this product in environments ranging from 15°C to 30°C, away from water, heat sources, or sharp objects that could cause damage.
13. Long-Term Storage: For long-term storage, discharge the battery to 30% and recharge it to 60% every 3 months. If it drops below 1% after use, recharge it to 60% before storing. Prolonged low power can cause irreversible damage and shorten the battery's lifespan.
14. No Disassembly: Do not attempt to disassemble the product. For repairs or servicing, consult official Sunshare channels. Improper handling could pose risks of fire or personal injury.
15. Low SOC Protection: The battery features a 10% discharge limit to prevent excessive discharging of the battery, thus extending its lifespan.
16. When the system operates in Backup Energy Mode, the inverter will not internally connect N to PE. If necessary, please make the connection between N and PE externally to the inverter.

### 1.4 Symbols Used in This Guide

Symbol	Explanation
	A high-risk hazard that, if not avoided, could result in death or serious injury.
	Important information that you must pay attention to.
	Included with your product
	Optional (not included)
	Indicates additional information on correct use or useful tips.

## 2. What's in the Box

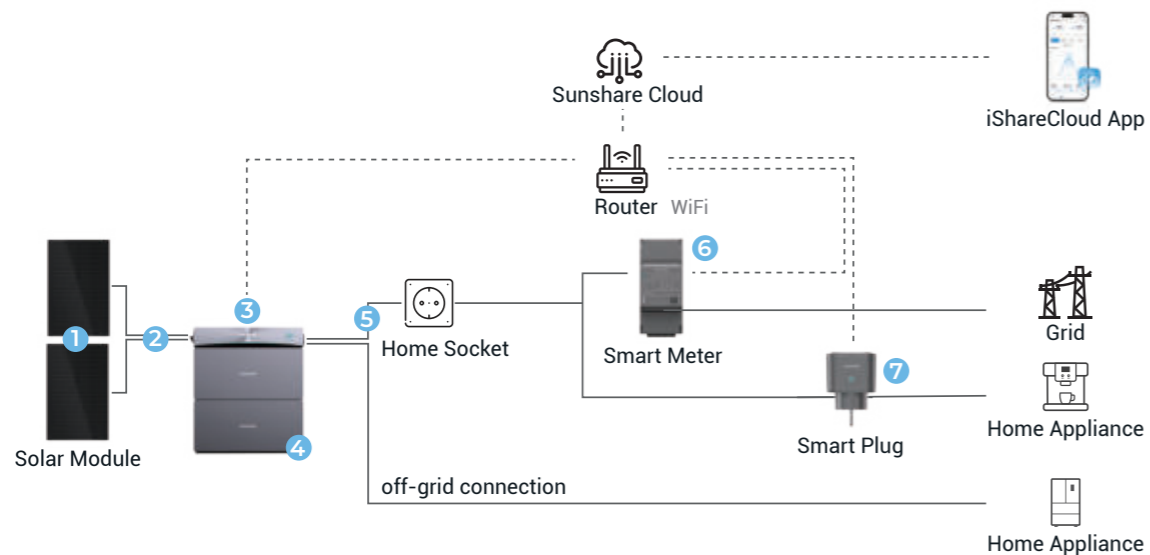


Before unpacking, check the packaging for any damage (e.g., holes or cracks). If damaged, do not unpack and contact Sunshare service team immediately.

After unpacking, verify that all items are intact, complete. If anything is missing or damaged, contact customer service.

## 3. Overview

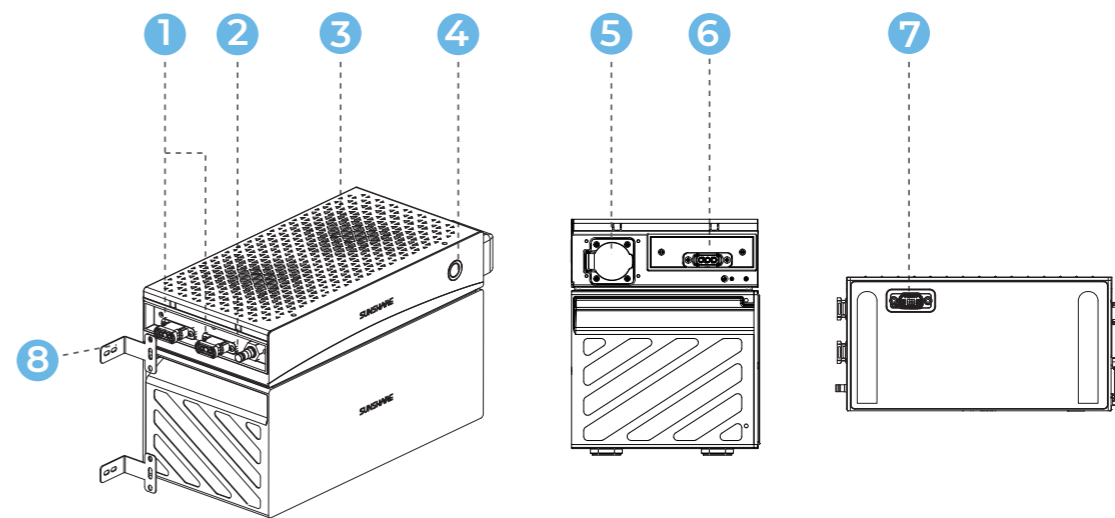
### 3.1 System Overview



1	Solar Panel	Supports up to 6sets for 1*MPPT and 12 sets for 2*MPPT of Sunshare 200W solar panels for efficient power generation.
2	Solar Cables	Used to connect the Sunshare Glory E1500 to the solar panels.
3	Sunshare Glory E1500	Ensuring efficient energy storage and seamless power conversion.
☆ 4	Add-on Battery	Expandable batteries that store electricity for household use
5	AC Power Cable	Connects Glory E1500 inverter to the household power socket.
☆ 6	Sunshare Smart Meter	Monitors whole household energy consumption and wireless communicates with Glory E1500 for energy optimization.
☆ 7	Sunshare Smart Plug	Monitors part of household energy consumption and wireless communicates with Glory E1500 for energy optimization.

☆ Optional accessories are available for purchase on the official Sunshare website.

### 3.2 Product Overview



1	PV Port 1-2	Ports for connecting up to 12 sets of Sunshare 200W solar panels.(Each for max. 6 sets)
2	Antenna	Wireless communication antenna for system connectivity.
3	Thermal Isolation Shield	Plastic protective cover to prevent burns from top-surface heat dissipation during device operation.
4	LED Light Strip	LED indicators for battery status, power, and IoT connectivity.
5	Off-grid AC Socket	AC socket for off-grid loads.
6	AC Port	AC input port for connecting to the AC power cable.
7	Battery Terminal	Port for connecting add-on batteries to the system.
8	Brackets	Mounting brackets for securing the system to a wall.

### 3.3 Button Controls

Action	Function	Remark
Press for 3 seconds	Turn on/Turn off	
Press for 7 seconds	Reset + enter network configuration mode	Under off status
Short press for once	LED Light on for 10 seconds	Device is on and screen set off by app

Tips: Power on can be set by app, only when PV or AC is with power.

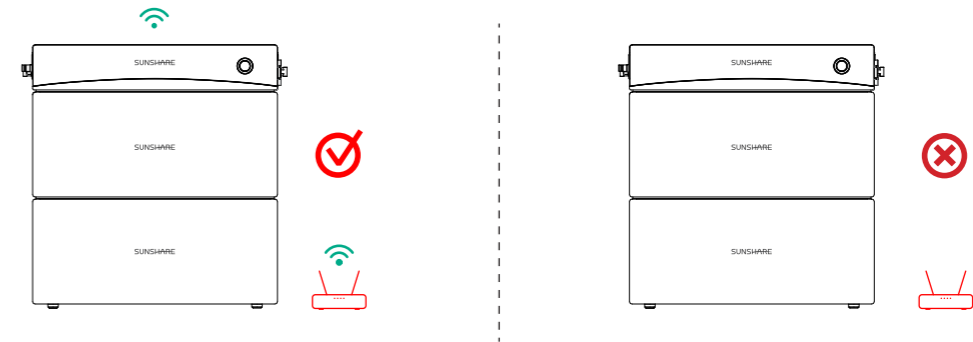
### 3.4 LED Display

Device status	LED light
Power on	Blue light up clockwise
Power off	Blue light on and then off in counterclockwise
Ready for network configuration	Blue breathing light
Network configuration	Blue running light clockwise
Operating	Blue light always on
WiFi connection abnormal	Yellow blinking for every 2 seconds
With error	Red blinking for every 1 second

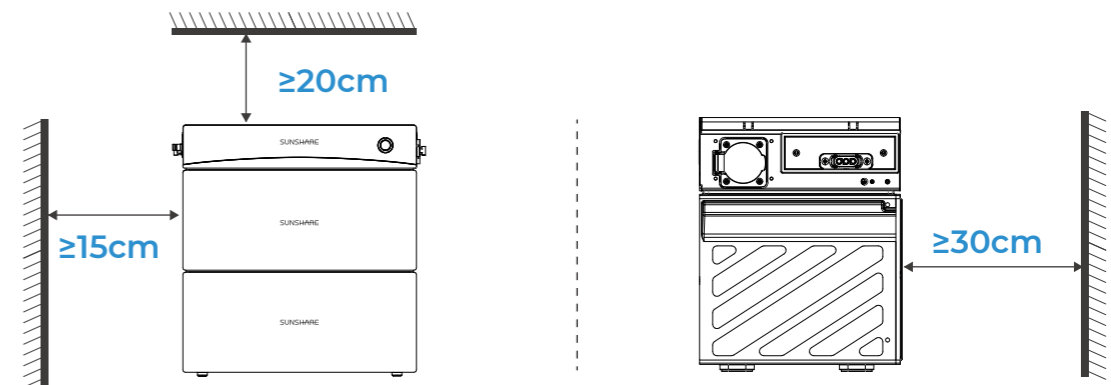
Tips: If errors happens with WiFi connection abnormal, it will be red blinking for every 1 seconds

### 4.2 Select a Suitable Location

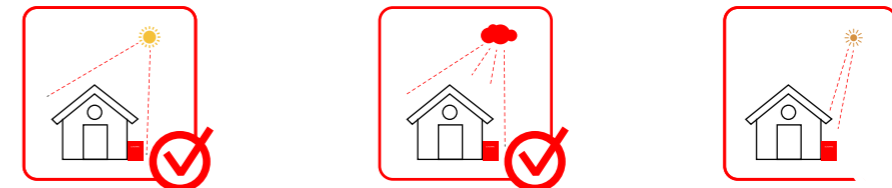
Make sure the Device is within the Wi-Fi coverage area.



The antenna casing on the device needs to be at least 15cm away from the wall. Maintain at least 20 cm of clearance around the top surface of the product and at least 30 cm on back between the wall, where the heat dissipation fins are located to ensure proper ventilation, efficient heat dissipation, and reliable wireless communication.



The Sunshare Glory can be installed indoors or outdoors. Be sure the device is placed in area where it will not be subjected to direct sunlight or rain.

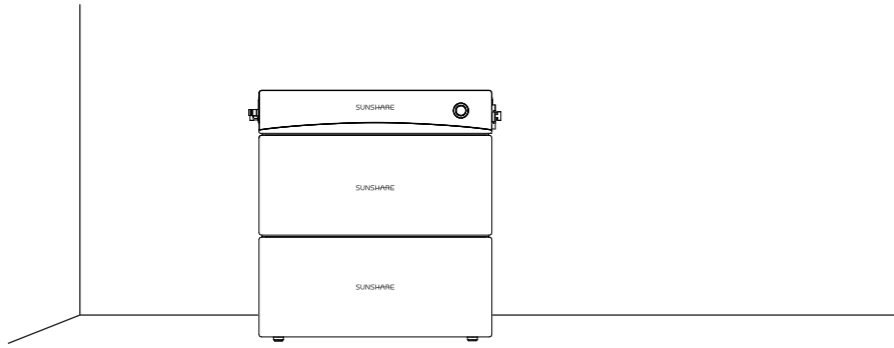


## 4. Installation Sunshare Glory

### 4.1 Before Assembly

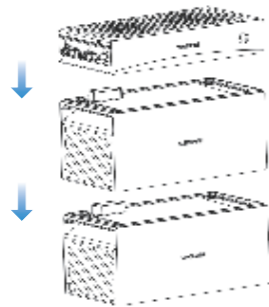
- ◆ General steps: Select a suitable location → Hybrid inverter & Add-on battery assembly → Connect to PV & Grid → Press button for 3s to power on → Download iShareCloud app and configure network → App setting for normal use.
- ◆ We recommend carrying out any solar-related setup on a sunny day, as it will be easier to assess the performance of your system and check for any issues.
- ◆ If Micro inverter or more home appliances should be connected with flexible socket, please operate according to phase 4.6.

Place Sunshare Glory on a solid, level surface.

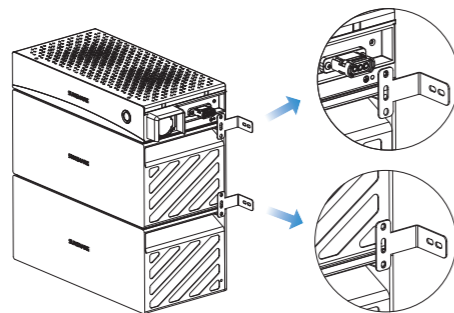


### 4.3 Assembly

1. Put batteries in bottom and hybrid inverter on top side. Then Plug the stacked connectors together, and finally apply pressure to tighten the gap.

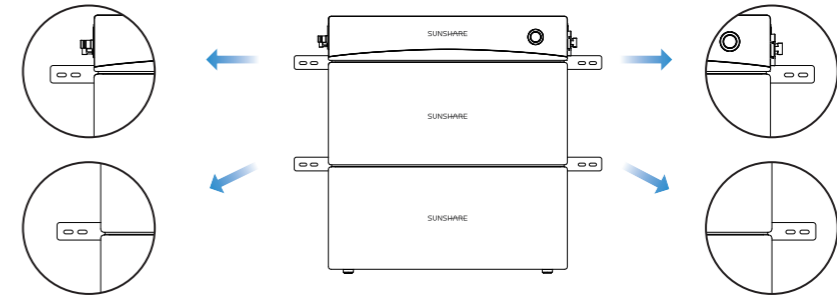


2. Connect the inverter and battery pack together using the connection bracket provided with the box, and secure them with the included M5X8mm screws.



3. If there are additional Add-on batteries, connect them together using the connection brackets provided with the box and secure them with M5x8mm screws. Then, drill holes in the wall and use appropriate M5 screws to firmly attach the brackets to the wall.

If no additional Add-on batteries, no need to connect with wall.



### 4.4 Connect to the Solar panels



Tips:

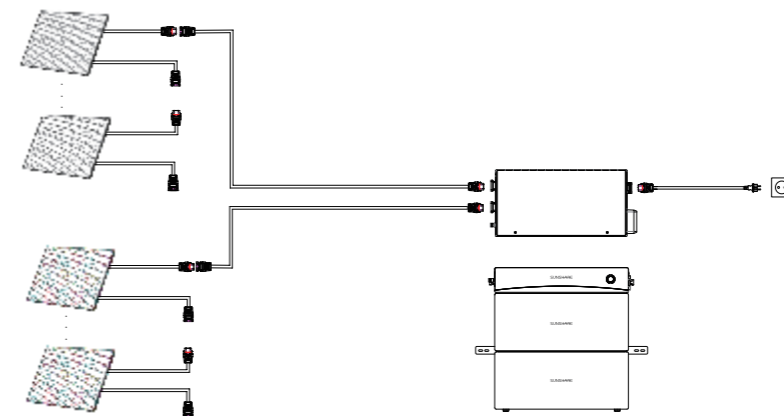
- ◆ Sunshare Glory features 2 independent MPPTs, each with a separate PV input.
  - ◆ The PV input voltage for each MPPT must be below 57V.
  - ◆ The PV input current for each MPPT must be below 30A.
- Each MPPT's PV input supports a power range of 200W to 1200W (equivalent to 1 to 6 Sunshare 200W solar panels).

◆ solar panels). Ensure that unused PV terminals are sealed with waterproof plugs.

1. Connect with Sunshare Solar panels(Max. 12 sets 200W solar panels)

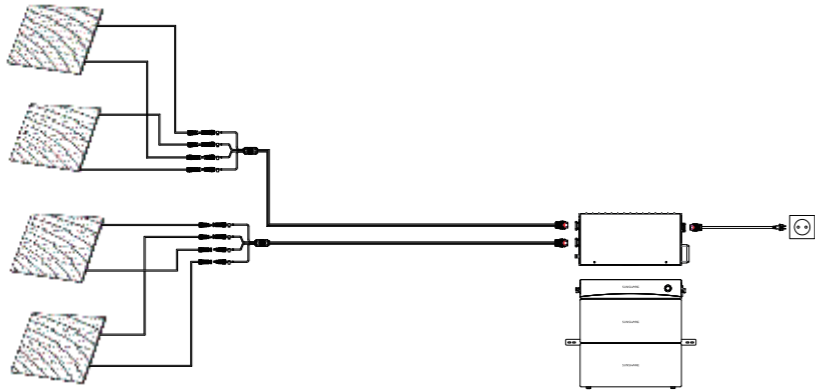
Connect all PV modules directly by plugging them into the PV input terminals of the Glory.

If needed, use dedicated extension cables (purchased separately) to increase the length.

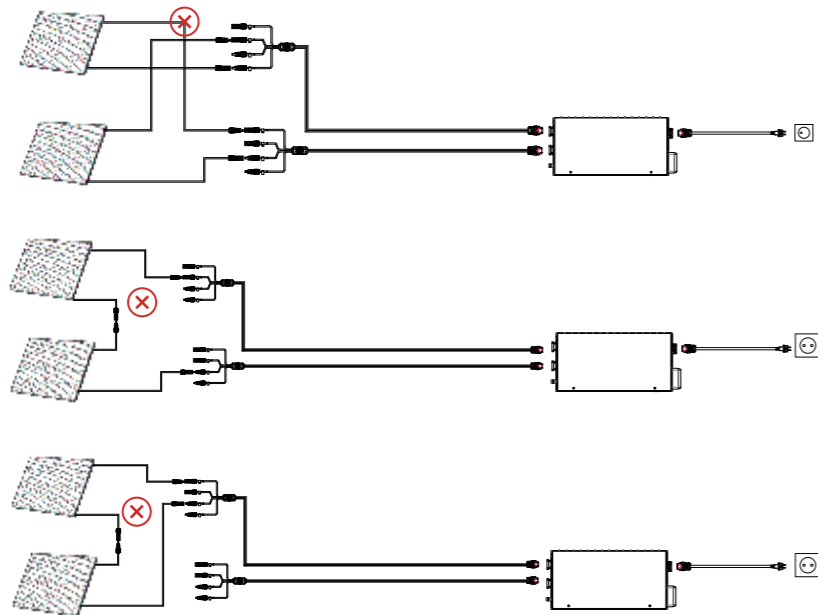


2. Connect with other brands Solar panels (Maximum 4 solar panels)

◆ To connect with other brands, you will need a dedicated adapter cable (which purchased separately from the Sunshare official website). It is forbidden to connect wires without permission.

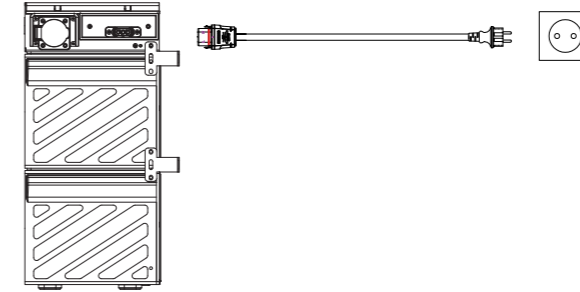


Do not connect solar panels from the same group to PV inputs of different groups. For example, it is prohibited to connect the positive terminal of PV1 to the positive input of PV2.



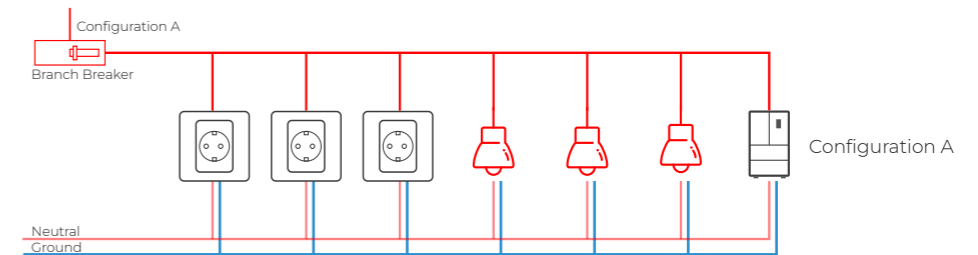
### 4.5 Connect to the Grid

Using the provided 2m AC power cord, first connect the cable to the Sunshare E1500, then plug it into a household power outlet on the appropriate circuit. 5m extension cord is available in Sunshare official website for extra purchase. It is forbidden to connect wires without permission.

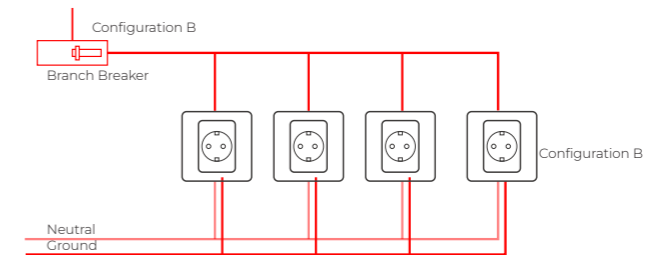


#### 💡 Tips:

1. Please confirm that the AC socket is switched on, and the power grid is being powered.
2. To maximize power generation efficiency and enhance safety, it is recommended to connect the device to a circuit branch with minimal or no other loads.
3. Select the Appropriate Circuit: When connecting the Sunshare Glory E1500 to a branch circuit, it is important to choose the correct configuration to ensure safe and efficient operation.



This configuration is not suitable for the Sunshare Glory E1500 because it includes multiple loads, such as outlets, lights, and high-power appliances (e.g. dishwasher, washing machine). These unpredictable high-current loads increase the risk of exceeding the branch circuit limit during solar power generation.



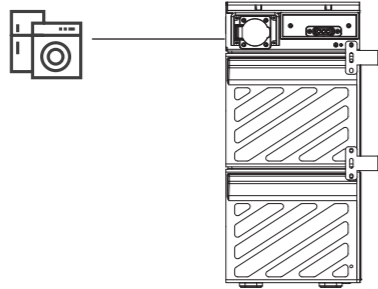
This configuration is ideal for connecting the Sunshare Glory E1500, as it only includes outlets and no appliances. There will be no safety risks of exceeding the branch circuit current, as in Configuration A.

## 4.6 Connect Microinverter/ off-grid load

### 1. Connect off-grid load

The flexible socket of the Sunshare Glory E1500 is a Schuko socket. Use an AC cable with a Schuko plug to connect the off-grid port of the Sunshare Glory E1500 to household appliances, ensuring that the power of the appliances does not exceed the specified limit.

For critical household appliances, the flexible socket supports Emergency Power Supply (EPS), which can automatically switch the power from the grid to the Sunshare Glory E1500 within 200 milliseconds.



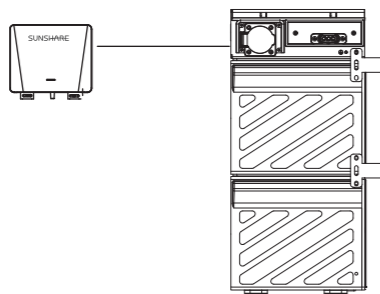
#### Tips:

When connecting appliances, please ensure that the power of the appliance does not exceed the output power of the Sunshare Glory E1500 flexible socket. The output power limit in the table below:

Battery	Stable Power(W)	Instantaneous Peak Power Limit (W) 10s Protection Shutdown
1	750	1200
2	1200	1800
3	1200	1800

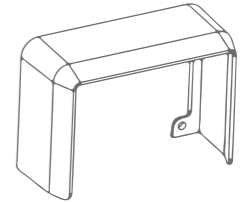
### 2. Connect microinverter

The flexible socket of the Sunshare Glory E1500 can also be connected to an 800W microinverter.



#### Tips:

Please confirm the specifications of the external microinverter, such as maximum output voltage and short-circuit current, to ensure they are within the input power range of the off-grid AC outlet. To guarantee line safety, the maximum power of the connected microinverter should not exceed 800W. Extra Schuko plug protective cover is available with extra purchase in Sunshare official website for better waterproof performance.



## 5. Download & Register

### 5.1 Download

1. Scan the QR code
2. Go to Google Play and App Store to search for "iShareCloud Official" and download.



iOS



Android

### 5.2 Login

1. Open the iShareCloud App.
2. Follow the instructions to complete account registration and login.
3. If you wish to see the App forum section, please select "Germany" during registration.

### 5.3 Network setting

#### 1. Network Configuration

Before configuring, please ensure the network connection is working well with a strong Wi-Fi signal. Do not place the device far away from the router.

#### Step 1

If Glory is powered off, press the button on device for 3 seconds to turn it on.

#### Step 2

Press button on the device for 7 seconds, enable Wi-Fi mode. When the light is in breathing blue, it is ready for setting and then it is blue running light clockwise, the device is in Configuration.

#### Step 3

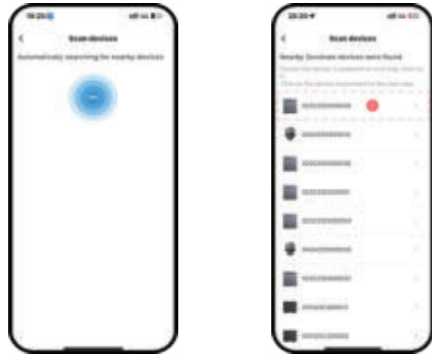
- Keep the device on.
- Tap [Add Device].



#### Step 4

The iShareCloud App will automatically search for your device. Once the device is found, it will appear on the list.

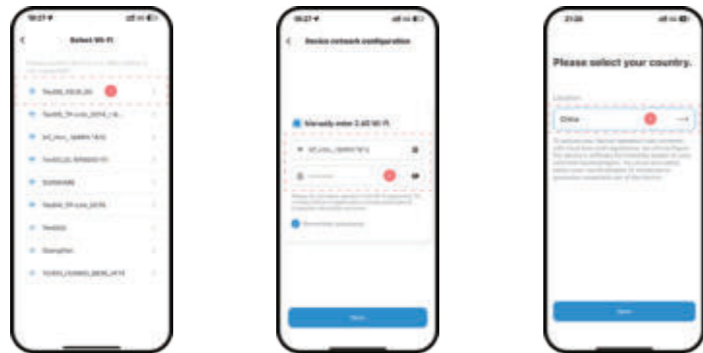
- Please make sure your phone's Bluetooth is on, and the iShareCloud App is authorized to access Bluetooth and Wi-Fi.



#### Step 5

After connecting Glory via Bluetooth, you should choose a Wi-Fi network for the device. Select the Wi-Fi network from the list and enter the password.

- The device only supports 2.4GHz Wi-Fi.
- Make sure the password is correct.



#### Step 6

Your Glory should successfully be configured to the network.

If the configuration process fails, follow the tips below:

- Check if the Wi-Fi router is working normally.
- Move the router closer to the device.
- Make sure the Wi-Fi password is correct.

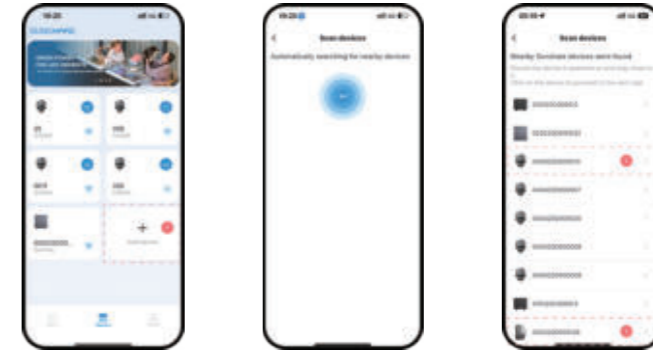
### 5.4 Add Home Devices(Optional)

Once the network configuration for Glory is successful, you can click the Add button to add smart meters and smart plugs, enabling more energy usage strategies.



#### Tips:

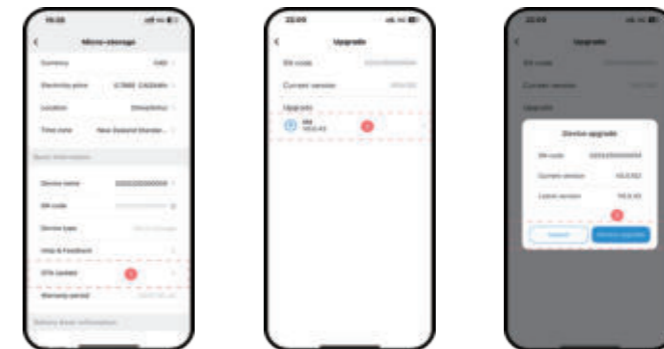
Please connect the smart meters and the smart plugs to the same Wi-Fi network as the Glory, to enable more efficient and accurate real-time scheduling of your home energy.



### 5.5 Firmware Update

Make sure all your devices have configured Wi-Fi and have a stable network connection.

1. If there is an important update for the firmware of All Sunshare devices, the app will guide you to through the process. Make sure your devices are on and connected to Wi-Fi before updating.
2. If no update is required, you can skip this step.



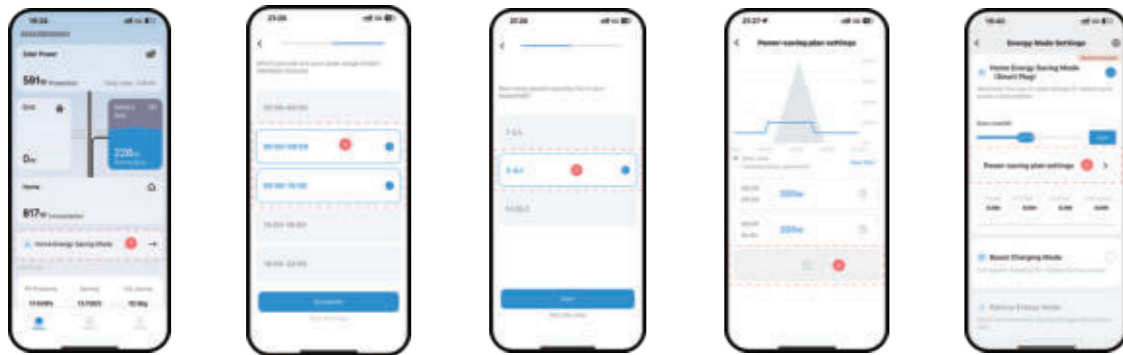
Note: Updates can take a few minutes. Please be patient. If the update fails, check if your devices are activated and connected to Wi-Fi.

### 5.6 Energy mode setting

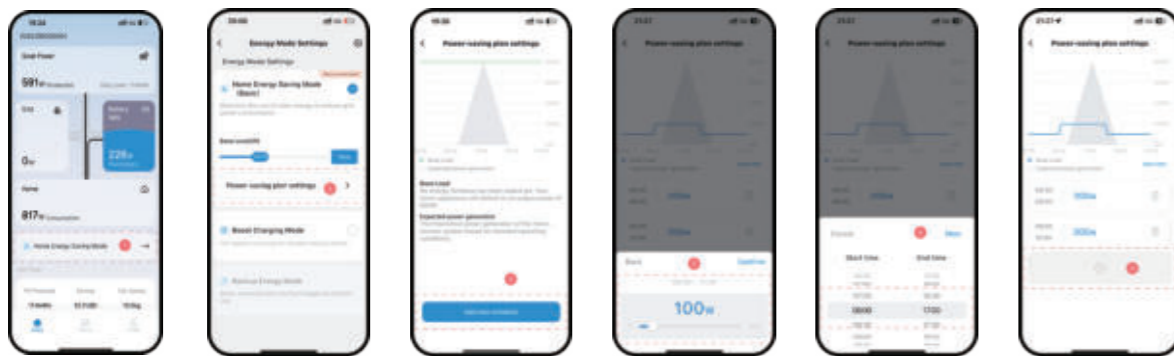
You can set up your home's energy usage schedule to maximize the utilization of solar power. Three intelligent modes are provided for your use.

1. Home Energy Saving Mode

- ◆ After configuring the smart meter, the meter will intelligently control the discharge and energy storage of Glory in real time and consuming only the amount of electricity required by the whole household user, thereby avoiding any waste of solar energy.
- ◆ After configuring only smart plug, it will monitor your household appliances' load which connect with smart plug in real time and control the discharge and energy storage of Glory accordingly, ensuring that only the necessary amount of electricity for the household is consumed, thereby avoiding any waste of solar energy.
- ◆ You can select the number of household members and peak electricity usage periods to enable the system to automatically allocate power for your household. You may also customize the base load and set specific electricity consumption preferences for different time slots according to your family's actual needs.



- ◆ If you have not configured both smart meter and plug, the Glory system will provide the required amount of electricity to your household based on your preset schedule and power demands. Any surplus energy can be optionally stored in the solar battery pack for reuse during peak consumption periods, thereby maximizing the utilization of solar energy.



## 2. Boost Charging Mode

This mode is designed for reserve power capacity, making it suitable for emergency scenarios. Once activated, the Glory device will charge the battery to its full capacity at the fastest possible speed.

## 3. Backup Energy Mode

This mode is intended for use during power outages or in outdoor settings. Once disconnected from the grid, the Glory will automatically switch to Backup Energy Mode; you can utilize the Glory batteries as a backup power source to meet the electricity needs of emergency situations.

Note: If a microinverter is connected to the off-grid port, please disconnect it before enabling Backup Energy Mode.

## 5.7 Others

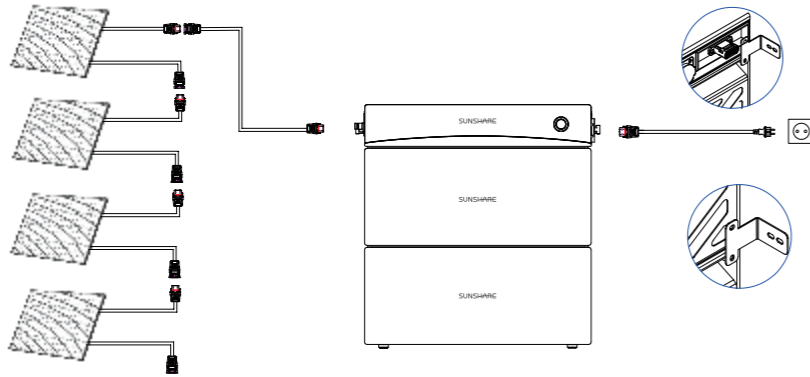
When the device malfunctions, you can check the failure information in the Messages Center and follow the instructions to attempt troubleshooting. For further assistance, submit inquiries via Help & Feedback or contact our after-sales specialists.



## 6 Maintenance

### 6.1 Disassembly

1. Press button of Sunshare E1500 to power off.
2. Disconnect the AC power cable; Unplug the AC cable from the wall or indoor socket, then unlock and remove the AC plug from the device.
3. Disconnect the PV end cable: First, unlock and disconnect the plug at the solar panel end, then unlock and remove the plug at the equipment end of the connecting cable.
4. Remove the bracket connecting the equipment to the wall, then disassemble the brackets between the inverter, battery pack, and any additional battery packs.
5. First, remove the inverter unit by pulling it out from the top. Then, remove the battery packs one by one in sequence, pulling them out from the upper part.
6. Place the disassembled equipment indoors, away from direct sunlight and flammable materials. It is recommended to store them in an environment between -20 °C and 65 °C.



## 7. Trouble shooting

7.1 When the LED indicator shows a yellow light flashing for 2 seconds, it indicates that the system's Wi-Fi connection is abnormal. Please check if there is any issue with the Wi-Fi, restart the router, and then verify if the connection has been restored to normal.

7.2 When the LED indicator shows a red light flashing for 1 second, it indicates that the system has encountered a fault. This fault information will be prompted in the APP, and you can follow the troubleshooting solutions provided by the APP to resolve it. Alternatively, you can also take the following steps to address the issue:

First, press the power button of the Sunshare Glory E1500 for 3 seconds to turn off the system; then unplug the AC cable, PV cable, and any electrical devices connected to the flexible socket.

Next, conduct the following inspections:

1. Check whether there are any abnormalities in the PV line and AC line connections;
2. Inspect the battery connections for any issues and ensure that the stacked plugs are firmly inserted;
3. Examine the bottom plug of the last battery pack for any foreign objects or water intrusion;
4. Verify that the power of the electrical devices connected to the flexible socket does not exceed the maximum allowed power of the equipment;

After completing the above inspections, reconnect the AC and PV cables, then press and hold the power button for 3 seconds to restart the system.

If the issue persists after performing these steps, please contact our after-sales service or report the problem via email at [support@sunsharetek.com](mailto:support@sunsharetek.com).

## Product Specifications

### Sunshare Glory

Model SR-S1K2EEU

### PV Input

Max. Input Power	2400W (1200W*2)
Max. Input Voltage	59Vdc
Max. Input Current	30A <sub>dc</sub>
MPPT Voltage Range	22-57Vdc
MPPT Voltage Range(full load)	40-45Vdc
Number of MPPT Channel	2

### AC Input

Rated Input Power	1200W
Rated Input Current	5.22A <sub>ac</sub>
Rated Grid Voltage/Frequency	230Vac,50Hz/60Hz
Max. Input Current	8A <sub>ac</sub>

### AC Output(On-grid)

Rated Output Power	800W
Rated Output Current	3.48A <sub>ac</sub>
Rated Grid Voltage/ Frequency	230Vac,50Hz/60Hz

### AC Output(Off-grid)

Normal Output Voltage/ Frequency	230Vac,50Hz
Normal Output Power	1200W (at least 2 batteries)
Max. Power(Duration)	1800W (10s)

### Battery Info.

Battery Type	Semi-Solid-State Battery (LiFePO <sub>4</sub> )	Working Temperature	-20~55 C
Battery Rated Capacity	53Ah/1526.4Wh	Battery Life Cycle	7000
Battery Rated Voltage	28.8V	Charging Temperature	0 C ~+55 C
Expandable Battery Quantity	3 (Max)	Discharging Temperature	-20 C ~+55 C

### General Info.

Ingress Protection	IP65	Wireless Connection	Bluetooth, 2.4G Hz Wi-Fi
Protective Class	Class I	Max. Altitude	2000m
Over Voltage Category	DC II/ACIII	Hybrid Dimension (L*W*D)	455x232x84mm
Cooling Strategy	Natural Convection	Hybrid Weight	7.5±0.5kg
Temperature	-20 C to 55 C	Single battery Dimension (L*W*D)	455x232x225mm
Humidity	0%~95%	Single battery Weight	18±0.5kg

Specifications are subject to change without notice.

In accordance with applicable laws and regulations, Sunshare retains the final right to interpret this document and all related product documents, including but not limited to warranty periods, eligibility for warranty services, and other terms. Sunshare also reserves the right to modify these documents in response to product updates. This document is subject to change (including updates, revisions, or discontinuation) without prior notice.

## Haftungsausschluss

Bitte lesen Sie alle Sicherheitsrichtlinien, Warnhinweise und sonstigen Produktinformationen in diesem Handbuch sorgfältig durch, ebenso wie alle am Produkt angebrachten Etiketten oder Aufkleber, bevor Sie das Produkt verwenden. Die sichere Nutzung und der Betrieb dieses Produkts liegen vollständig in der Verantwortung des Benutzers. Bitte machen Sie sich mit den geltenden Vorschriften in Ihrer Region vertraut. Es liegt in Ihrer alleinigen Verantwortung, die Einhaltung dieser Vorschriften bei der Nutzung von Sunshare-Produkten sicherzustellen.

## Inhalt

1.Sicherheitshinweise	23
2. Was ist im Lieferumfang enthalten?	26
3. Überblick	27
4. Installation Sunshare Glory	29
5. App-Download & Registrierung	36
6. Wartung	40
7. Technische Daten	41

## 1. Sicherheitshinweise

### 1.1 Sicherheitsleitfaden

1. Bitte lesen Sie alle aktuellen Dokumentationen sorgfältig durch, bevor Sie das Produkt installieren, verwenden oder warten. Die Dokumentation kann im Laufe der Zeit aktualisiert werden.
2. Prüfen Sie vor dem Betrieb, ob das Gerät beschädigt ist, Risse aufweist, Flüssigkeiten austreten, es heiß wird oder andere Unregelmäßigkeiten auftreten. Überprüfen Sie außerdem alle Kabel auf Beschädigungen. Bei Problemen stellen Sie die Nutzung sofort ein und kontaktieren Sie unseren Kundenservice.
3. Stellen Sie keine schweren Gegenstände auf das Gerät.
4. Stellen Sie sicher, dass alle Kabel und Stecker unbeschädigt und trocken sind, bevor Sie sie anschließen, um Stromschläge zu vermeiden.
5. Installieren oder betreiben Sie das System nicht bei extremen Wetterbedingungen wie Gewitter, Schnee, starkem Regen oder heftigem Wind.
6. Um das Verletzungsrisiko zu minimieren, ist eine sorgfältige Aufsicht erforderlich, wenn das Gerät in der Nähe von Kindern verwendet wird.
7. Halten Sie Hände und Finger von den internen Komponenten des Geräts fern.
8. Verwenden Sie ausschließlich das Original-Ladegerät und die vorgesehenen Kabel. Für Schäden durch Drittanbieterzubehör übernehmen wir keine Haftung – dies kann zudem zum Verlust der Garantie führen.
9. Halten Sie einen Mindestabstand von 50 mm zwischen dem Gerät und umliegenden Gegenständen ein.
10. Vermeiden Sie direkte Sonneneinstrahlung während des Betriebs, um eine Überhitzung zu verhindern. Platzieren Sie das Gerät nicht in der Nähe von Wärmequellen.
11. Installieren Sie das Gerät ausschließlich gemäß den Anweisungen in diesem Handbuch, um Sachschäden oder Verletzungen zu vermeiden.
12. Verwenden Sie das Gerät nicht in der Nähe starker statischer Entladungen oder magnetischer Felder.
13. Betreiben Sie das Gerät nicht in Umgebungen mit brennbaren oder explosiven Stoffen, Gasen oder Rauch. Das Gehäuse dient der Wärmeabfuhr – übermäßige Hitzeeinwirkung kann Schäden verursachen.
14. Ziehen Sie beim Trennen von Steckverbindungen immer am Stecker, nicht am Kabel, um Beschädigungen zu vermeiden.
15. Verwenden Sie das Gerät nicht über seiner spezifizierten Ausgangsleistung – eine Überlastung kann Brandgefahr und Verletzungen verursachen.
16. Verwenden Sie keine beschädigten oder modifizierten Komponenten. Besonders defekte oder manipulierte Akkus können unvorhersehbares Verhalten zeigen und zu Brandgefahr, Explosion oder Verletzungen führen.
17. Betreiben Sie das Gerät nicht mit beschädigten Kabeln oder Steckverbindungen.
18. Öffnen Sie das Gerät nicht selbst. Lassen Sie Wartung oder Reparaturen ausschließlich von qualifiziertem Fachpersonal durchführen. Eine unsachgemäße Demontage kann zu Stromschlägen oder Bränden führen.

19. Setzen Sie das Gerät nicht offenem Feuer oder hohen Temperaturen aus.
20. Versuchen Sie nicht, interne Komponenten durch unbefugtes Personal austauschen zu lassen. Reparaturen dürfen nur durch qualifiziertes Fachpersonal mit Original-Ersatzteilen erfolgen, um die Betriebssicherheit zu gewährleisten.
21. Das Gerät besitzt die Schutzklasse IP65 – es darf nicht in Flüssigkeiten getaucht werden. Sollte es versehentlich ins Wasser fallen, bringen Sie es an einen sicheren, trockenen Ort und halten Sie Abstand, bis es vollständig getrocknet ist. Verwenden Sie es anschließend nicht erneut und entsorgen Sie es gemäß den Richtlinien in diesem Handbuch.
22. Das Gerät kann sich im Betrieb warm anfühlen. Dies ist normal und stellt keinen Grund zur Besorgnis dar.
23. Um das Risiko eines elektrischen Schlags zu minimieren, trennen Sie vor Wartungsarbeiten die Verbindung zu den Solarpanels, Batterien und dem Stromnetz.
24. Laden Sie den Akku ausschließlich in gut belüfteten Bereichen. Eine blockierte Lüftung kann zu dauerhaften Geräteschäden führen.
25. Verwenden Sie zur Reinigung keine aggressiven Chemikalien oder Reinigungsmittel. Wischen Sie das Gerät ausschließlich mit einem trockenen Tuch ab.
26. Bewegen oder erschüttern Sie das Gerät während des Betriebs nicht, da Vibrationen und Stöße die internen Verbindungen beeinträchtigen können.
27. Achten Sie auf eine sichere Installation von Gerät und Batterien, um Unfälle und Schäden durch Umkippen oder Herabfallen zu vermeiden.
28. Im Brandfall darf ausschließlich ein Trockenpulver-Feuerlöscher verwendet werden.
29. Arbeiten an den Batterien dürfen nur von Personen durchgeführt oder überwacht werden, die mit dem sicheren Umgang vertraut sind.

### 1.2 Entsorgungsleitfaden






1. Batterie vollständig entladen (wenn möglich): Stellen Sie vor der Entsorgung sicher, dass der Akku vollständig entladen ist. Dies reduziert potenzielle Gefahren. Beachten Sie stets die örtlichen Gesetze und Richtlinien für das Recycling und die fachgerechte Entsorgung von Batterien.
2. Umgang mit defekten Batterien: Sollte der Akku aufgrund eines Defekts oder Geräteschadens nicht vollständig entladen werden können, wenden Sie sich an eine zertifizierte Batterierecyclingstelle oder einen Fachbetrieb für die sichere Handhabung.
3. Trennung von Batterietypen: Achten Sie darauf, Batterien oder Zellen unterschiedlicher elektrochemischer Systeme (z.B. Lithium-Ionen, Nickel-Metallhydrid) getrennt zu entsorgen. Eine Vermischung kann zu chemischen Reaktionen oder Sicherheitsrisiken führen.
4. Mechanische Beschädigungen vermeiden: Setzen Sie Batterien während der Entsorgung keinen mechanischen Einwirkungen wie Schlägen, Einstichen oder hohen Temperaturen aus, da dies zu Auslaufen, Brand oder Explosion führen kann.
5. Einhalten gesetzlicher Vorschriften: Beachten Sie stets die lokalen Entsorgungsvorschriften. Unsachgemäßer Umgang mit Batterien kann die Umwelt schädigen und gesetzliche Bestimmungen verletzen.

### 1.3 Wichtige Tipps Netzanschluss prüfen

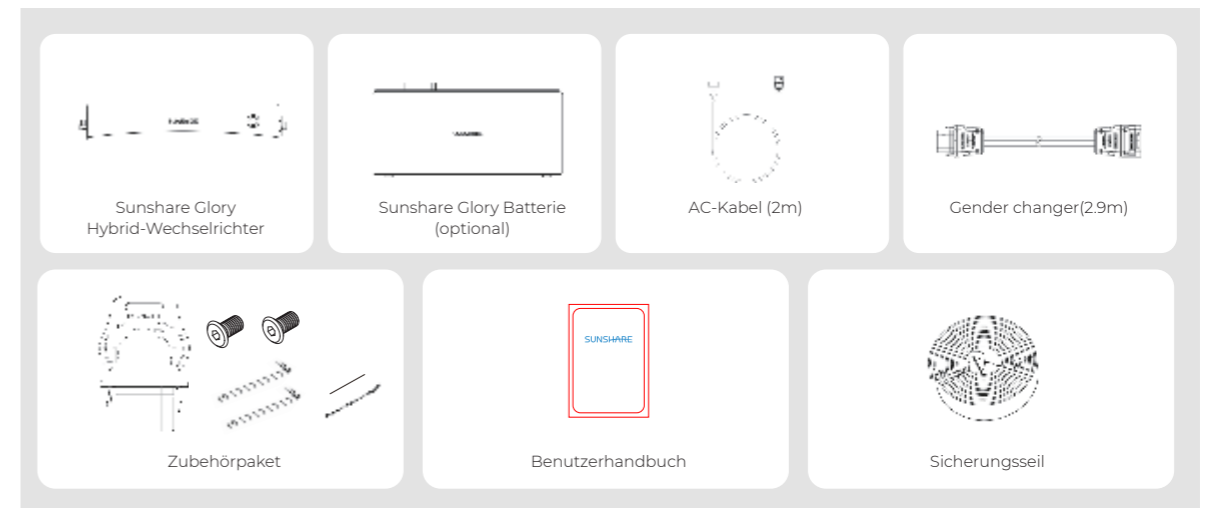
1. Die PV-Anlage ist netzgekoppelt. Bitte stellen Sie sicher, dass der Netzbetrieb in Ihrer Region zulässig ist.
2. Vor direkter Sonneneinstrahlung schützen: Platzieren Sie den Sunshare Glory in einem schattigen Bereich, um einen raschen Temperaturanstieg zu vermeiden, der die Leistung beeinträchtigen könnte.
3. Zubehör vorab prüfen: Überprüfen Sie vor der Installation, ob sämtliches erforderliches Zubehör vorhanden ist. Einige Komponenten müssen möglicherweise separat erworben werden.
4. iShareCloud-App herunterladen: Laden Sie nach der Installation die offizielle iShareCloud-App herunter, um zusätzliche intelligente Funktionen sowie Fernsteuerungsoptionen zu aktivieren.
5. Verbindungszeit zum Stromnetz: Nach der Installation und der ersten Inbetriebnahme benötigt Sunshare Glory etwa eine Minute, um sich mit dem Stromnetz zu verbinden.
6. Sicheren Wechselstromausgang konfigurieren: Nutzen Sie die iShareCloud-App, um die Ausgangsleistung des AC-Anschlusses für den Hausgebrauch einzustellen. Achten Sie darauf, dass die Leistung den Sicherheitsgrenzwerten Ihres Landes bzw. Ihrer Region entspricht, um eine Überlastung zu vermeiden.
7. Abschaltvorgang: Bevor Sie den Sunshare Glory vom Netz trennen, halten Sie die Taste für 3 Sekunden gedrückt, um das Gerät auszuschalten. Trennen Sie anschließend alle Stromkabel, um die Sicherheit zu gewährleisten.
8. Erweiterung durch Stapelung von Batteriemodulen: Beim Hinzufügen weiterer Batteriemodule ist das sogenannte „Hot-Plugging“ strengstens untersagt. Stapeln Sie zusätzliche Batterien nur dann zur Kapazitätserweiterung, wenn das Gerät vollständig ausgeschaltet und alle Kabel abgezogen sind.
9. Verwendung im Außenbereich: Das Gerät kann als netzunabhängige Stromquelle im Freien verwendet werden. Schalten Sie es vor dem Transport vollständig aus und trennen Sie alle Kabel, bevor Sie die Batteriemodule entfernen und das Gerät verlagern.
10. Sicherheit beim Offgrid-Ausgang:
  - (1) Wenn Sie die Offgrid-Steckdose des Wechselrichters verwenden, schützen Sie sie vor Regen und Feuchtigkeit, um Stromschläge zu vermeiden.
  - (2) Verschließen Sie die Schutzabdeckung der Offgrid-Steckdose nach jeder Nutzung sofort, um das Eindringen von Wasser oder Staub zu verhindern.
11. Fehlerbehebung bei Störungen: Schalten Sie das Gerät bei einer Störung zunächst aus und wieder ein. Besteht das Problem weiterhin, wenden Sie sich bitte an den Sunshare-Kundendienst oder eine autorisierte Fachkraft.
12. Empfohlene Betriebsumgebung: Nutzen Sie das Produkt idealerweise bei Umgebungstemperaturen zwischen 15°C und 30°C. Halten Sie es fern von Wasser, Hitzequellen und scharfkantigen Gegenständen.
13. Langzeitlagerung: Für eine längere Lagerung entladen Sie die Batterie auf ca. 30% und laden sie alle 3 Monate auf 60% auf. Sollte der Akkustand nach Gebrauch unter 1% fallen, laden Sie ihn vor der Lagerung auf 60% auf. Eine anhaltend niedrige Ladung kann zu irreversiblen Schäden und einer verkürzten Lebensdauer führen.
14. Keine Demontage durch Nutzer: Öffnen Sie das Gerät nicht selbst. Für Reparaturen oder Wartung wenden Sie sich bitte an den offiziellen Sunshare-Support. Unsachgemäßer Umgang kann zu Verletzungen oder Bränden führen.
15. Schutz bei niedrigem Ladezustand (SOC): Die Batterie verfügt über eine Entladeschutzgrenze bei 10%, um eine Tiefentladung zu vermeiden und die Lebensdauer der Batterie zu verlängern.

16. Hinweis zum Betrieb im Backup-Modus: Wenn das System im Backup-Energie-Modus betrieben wird, erfolgt im Wechselrichter keine interne Verbindung zwischen N (Neutralleiter) und PE (Schutzleiter). Falls erforderlich, muss diese Verbindung extern zum Wechselrichter hergestellt werden.

### 1.4 In diesem Leitfaden verwendete Symbole

Symbol	Explanation
	A high-risk hazard that, if not avoided, could result in death or serious injury.
	Important information that you must pay attention to.
	Included with your product
	Optional (not included)
	Indicates additional information on correct use or useful tips.

## 2. Was ist im Lieferumfang enthalten?

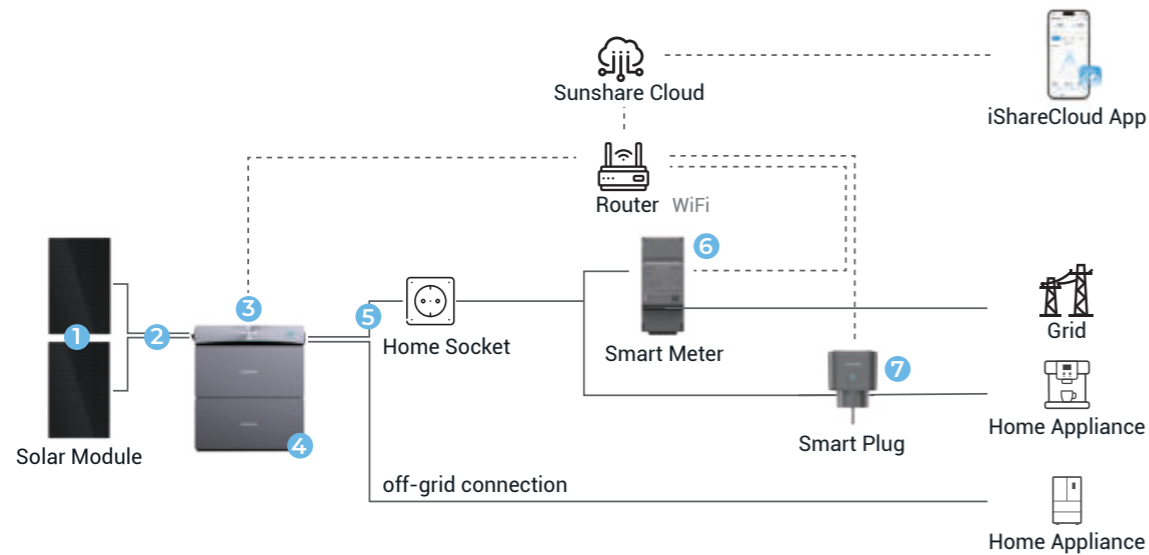


#### Hinweise vor dem Auspacken

- Prüfen Sie die Verpackung vor dem Öffnen sorgfältig auf sichtbare Schäden (z.B. Risse oder Einstiche). Sollte die Verpackung beschädigt sein, öffnen Sie sie nicht und wenden Sie sich umgehend an das Sunshare-Service-Team.
- Nach dem Auspacken überprüfen Sie bitte, ob alle Teile vollständig und unbeschädigt vorhanden sind. Sollten Komponenten fehlen oder beschädigt sein, kontaktieren Sie ebenfalls unseren Kundendienst.

## 3. Überblick

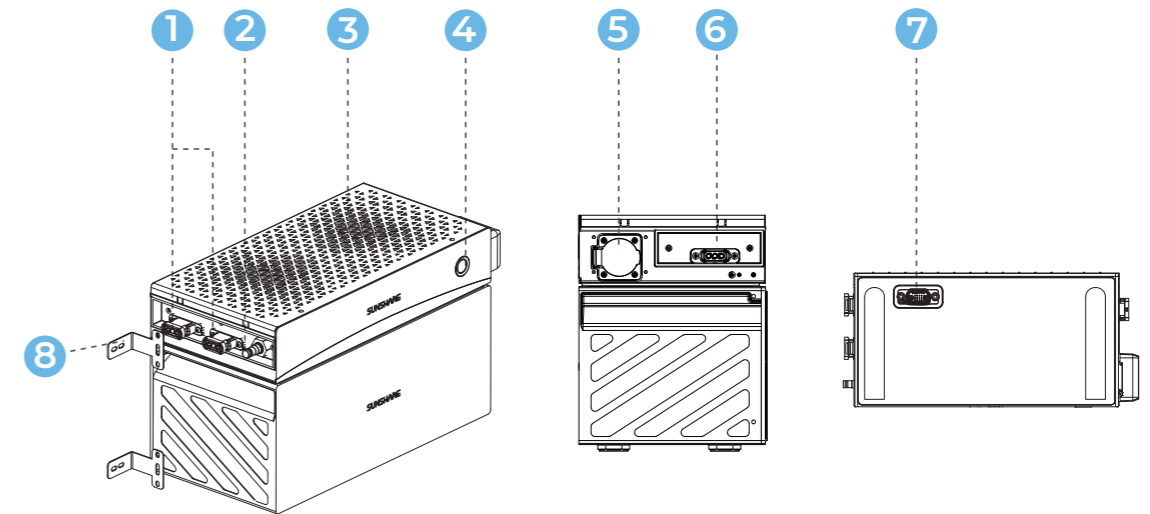
### 3.1 Systemüberblick



1	Solar modul	Unterstützt bis zu 6 Sets für 1*MPPT und 12 Sets für 2*MPPT von Sunshare 200W Solarmodulen für eine effiziente Stromerzeugung.
2	Solarkabel	Wird verwendet, um den Sunshare Glory E1500 an die Solarmodule anzuschließen.
3	Sunshare Glory E1500	Alles in einem Mikro-Speichergerät, das eine effiziente Energiespeicherung und nahtlose Stromumwandlung gewährleistet.
☆ 4	Zusatzbatterie	Erweiterbare Batterien, die Strom für den Hausgebrauch speichern
5	AC-Stromkabel	Verbindet den Wechselrichter Glory E1500 mit der Haushaltssteckdose.
☆ 6	Sunshare Smart Meter	Überwacht einen Teil des Energieverbrauchs im Haushalt und kommuniziert drahtlos mit Glory, um die Energienutzung zu optimieren.
☆ 7	Sunshare Smart Plug	Überwacht den gesamten Stromverbrauch im Haushalt und kommuniziert drahtlos

☆ Optionales Zubehör ist über die offizielle Sunshare-Website erhältlich.

### 3.2 Geräteübersicht



1	PV-Anschlüsse 1-2	Anschlüsse für bis zu 12 Sunshare 200W-Solarmodule (je Anschluss maximal 6 Module).
2	Antenne	Funkantenne für die drahtlose Systemverbindung..
3	Thermische Isolationsabdeckung	Plastic protective cover to prevent burns from top-surface heat dissipation during device operation.
4	LED-Leuchtstreifen	Anzeigen für Batteriestatus, Systemleistung und IoT-Verbindung.
5	Flexible Steckdose	Netzunabhängige Steckdose für den Inselbetrieb.
6	AC-Anschluss	Eingang für den Netzanschluss über das AC-Kabel.
7	Batterieanschluss	Schnittstelle zur Verbindung von Zusatzbatterien mit dem System.
8	Befestigungshalterungen	Zur sicheren Wandmontage des Geräts.

### 3.3 Tastenkontrollen

Aktion	Funktion	Bemerkung
3 Sekunden lang drücken	Einschalten/Ausschalten	
7 Sekunden lang drücken	Zurücksetzen + Zugang zum WLAN-Konfigurationsmodus	Nur im ausgeschalteten Zustand
Einmal kurz drücken	LED-Leuchte für 10 Sekunden aktivieren	Wenn Gerät aktiv ist und Bildschirm über App deaktiviert wurde

Hinweis: Das Einschalten per App ist nur möglich, wenn PV- oder AC-Strom verfügbar ist.

### 3.4 LED-Anzeige

Gerät eingeschaltet	LED-Leuchte
Gerät eingeschaltet	Blaues Licht rotiert im Uhrzeigersinn
Gerät ausgeschaltet	Blaues Licht blinkt gegen den Uhrzeigersinn und erlischt
WLAN-Konfiguration bereit	Blaues Licht pulsiert
WLAN-Konfiguration aktiv	Blaues Licht läuft im Uhrzeigersinn
Normalbetrieb	Blaues Licht dauerhaft an
WLAN-Verbindungsfehler	Gelbes Licht blinkt alle 2 Sekunden
Fehlerzustand	Rotes Licht blinkt jede Sekunde

Hinweis: Wenn WLAN-Fehler und andere Fehler gleichzeitig auftreten, blinkt das rote Licht im Sekundentakt.

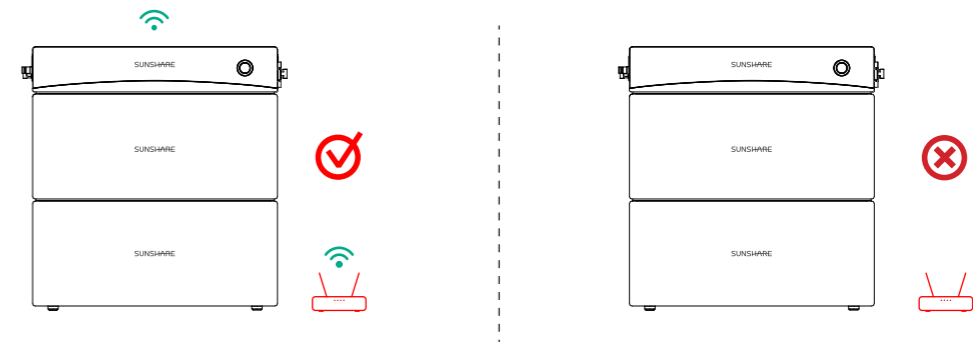
## 4. Installation Sunshare Glory

### 4.1 Vor der Montage

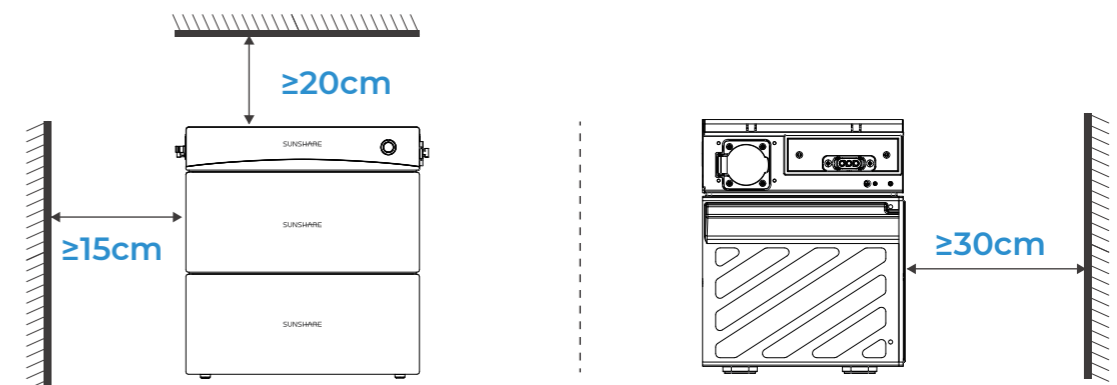
- ♦ Allgemeine Schritte: Wählen Sie einen geeigneten Standort → Hybrid-Wechselrichter und Zusatzbatterie → Verbinden Sie sich mit PV und Netz → Drücken Sie die Taste für 3s, um einzuschalten → Laden Sie die iShareCloud-App herunter und konfigurieren Sie das Netzwerk → App-Einstellung für den normalen Gebrauch.
- ♦ Wir empfehlen, die Solarkomponenten an einem sonnigen Tag zu installieren, da sich so die Systemleistung leichter überprüfen und eventuelle Fehler schneller erkennen lassen.
- ♦ Sollen Micro-Wechselrichter oder weitere Haushaltsgeräte an die flexible Steckdose angeschlossen werden, gehen Sie bitte nach Phase 4.6 vor.

### 4.2 Wahl eines geeigneten Ortes

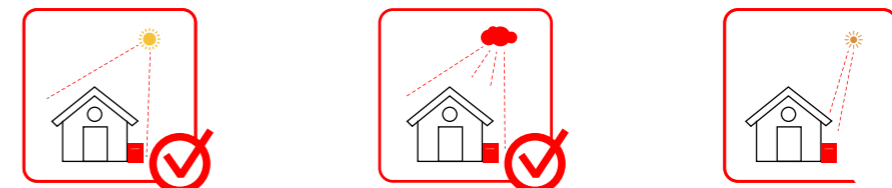
Stellen Sie sicher, dass das Gerät im WLAN-Empfangsbereich liegt.



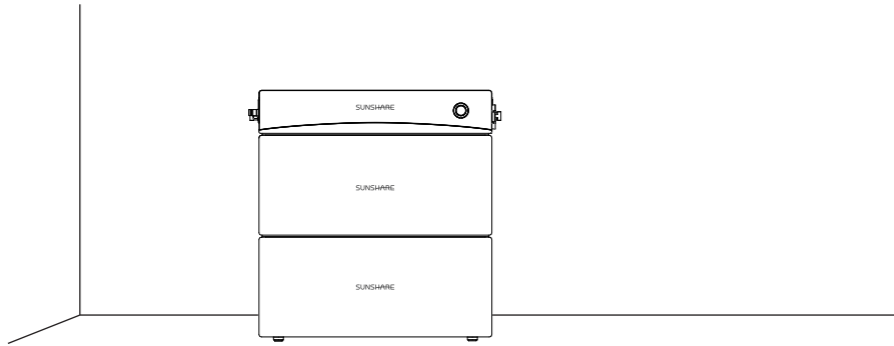
Das Antennengehäuse am Gerät muss mindestens 15 cm von der Wand entfernt sein. Achten Sie auf einen Mindestabstand von 20cm zur Oberseite und 30cm zur Rückseite des Geräts (dort befinden sich die Kühlrippen), um eine ausreichende Belüftung, effektive Wärmeabfuhr und stabile Funkverbindung zu gewährleisten.



Der Sunshare Glory kann sowohl im Innen- als auch im Außenbereich installiert werden. Achten Sie darauf, dass das Gerät weder direkter Sonneneinstrahlung noch Regen ausgesetzt ist.

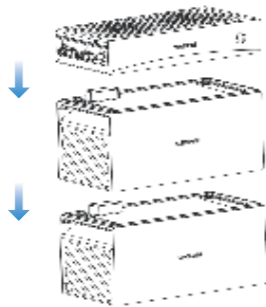


Das Gerät sollte auf einem festen und ebenen Untergrund aufgestellt werden.

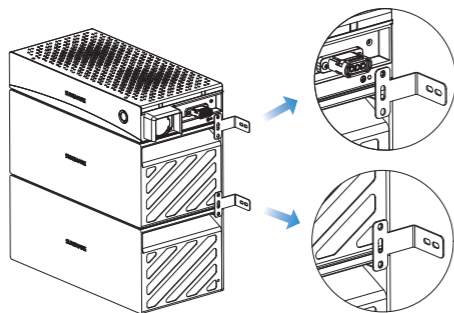


### 4.3 Montage

1. Stapeln Sie die Batterie(n) unten und den Hybrid-Wechselrichter oben auf. Stecken Sie die integrierten Steckverbindungen ineinander und drücken Sie anschließend fest, um den Spalt zu schließen.

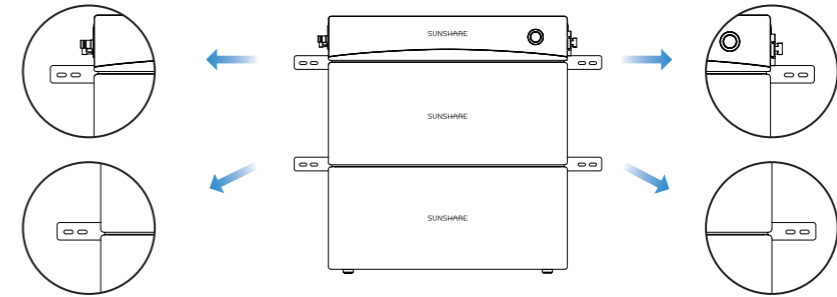


2. Verbinden Sie Wechselrichter und Batterie mithilfe der mitgelieferten Verbindungshalterung und fixieren Sie sie mit den beiliegenden M5x8mm Schrauben.



3. Falls weitere Batteriemodule installiert werden, verbinden Sie diese ebenfalls über die mitgelieferten Halterungen und Schrauben. Bohren Sie ggf. Befestigungslöcher in die Wand und verwenden Sie geeignete M5-Schrauben zur sicheren Wandmontage.

Hinweis: Wenn keine zusätzlichen Batterien vorhanden sind, ist eine Wandbefestigung nicht erforderlich.



### 4.4 Anschluss an die Solarmodule



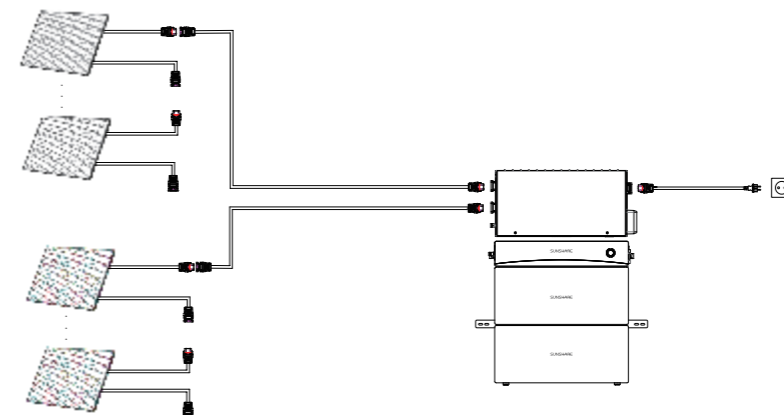
Hinweise:

- ◆ Der Sunshare Glory verfügt über zwei unabhängige MPPTs, jeweils mit eigenem PV-Eingang.
- ◆ Die Eingangsspannung pro MPPT darf 57 V nicht überschreiten.
- ◆ Der Eingangsstrom pro MPPT darf 30 A nicht überschreiten.
- ◆ Der unterstützte Leistungsbereich pro MPPT liegt bei 200–1200W (entspricht 1 bis 6 Sunshare 200W-Modulen).
- ◆ Nicht verwendete PV-Anschlüsse müssen mit wasserdichten Schutzkappen verschlossen werden.

1. Anschluss von Sunshare-Solarmodulen (max. 12sets 200 W Module)

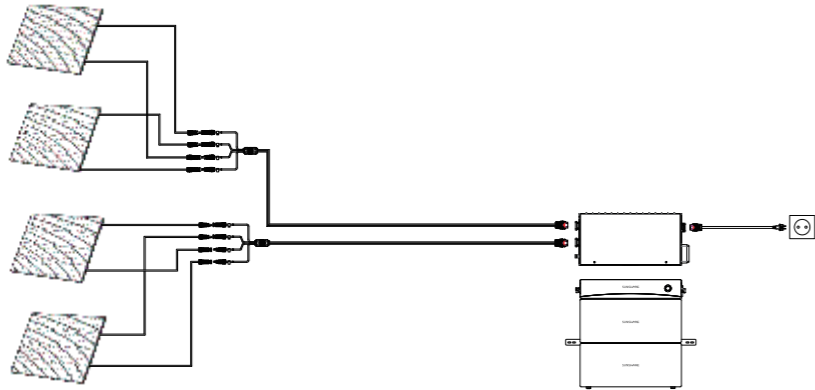
Verbinden Sie alle PV-Module direkt über die PV-Eingangsklemmen der Glory.

Bei Bedarf können spezielle Verlängerungskabel (separat erhältlich) verwendet werden, um die Kabellänge zu erhöhen.



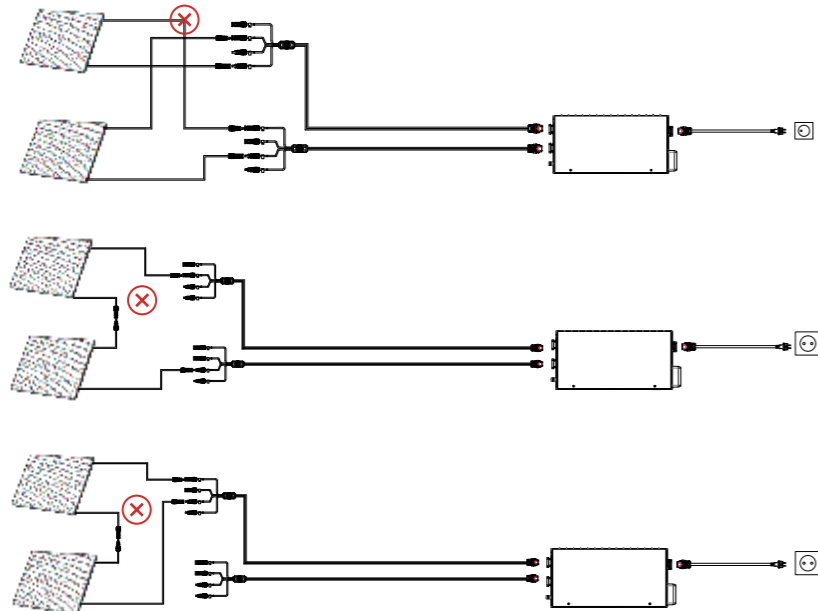
2. Anschluss von Solarmodulen anderer Marken (maximal 4 Solarmodule)

3. Für den Anschluss von Modulen anderer Marken benötigen Sie ein spezielles Adapterkabel (separat über die offizielle Sunshare-Website erhältlich). Das Anschließen von Kabeln ohne Genehmigung ist verboten.



Hinweis:

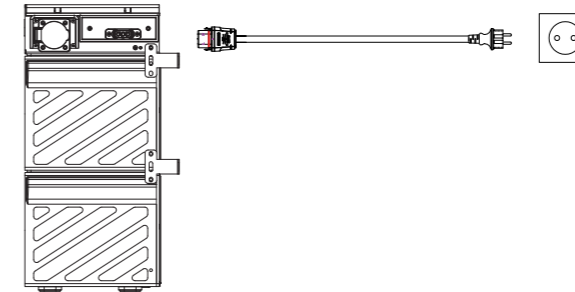
Schließen Sie keine Solarmodule derselben Gruppe an PV-Eingänge verschiedener Gruppen an. Es ist beispielsweise verboten, den Pluspol von PV1 an den Pluspol von PV2 anzuschließen.



## 4.5 Anschluss an das Stromnetz

Verwenden Sie das mitgelieferte 2m lange AC-Stromkabel.

Zuerst verbinden Sie das Kabel mit dem Sunshare E1500 und stecken es anschließend in eine passende Haushaltssteckdose. Ein 5 m langes Verlängerungskabel ist auf der offiziellen Sunshare-Website gegen Aufpreis erhältlich. Es ist verboten, Kabel ohne Erlaubnis anzuschließen.

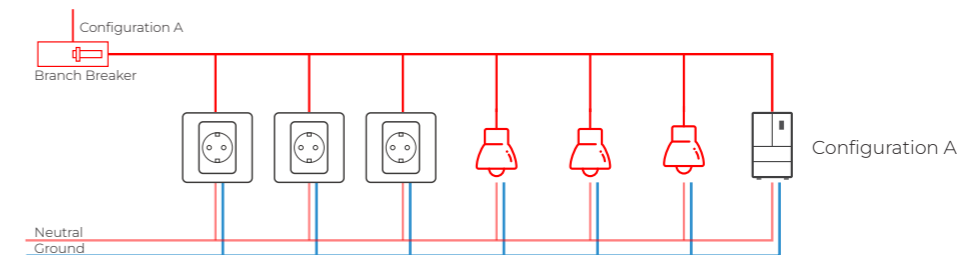


### Hinweise:

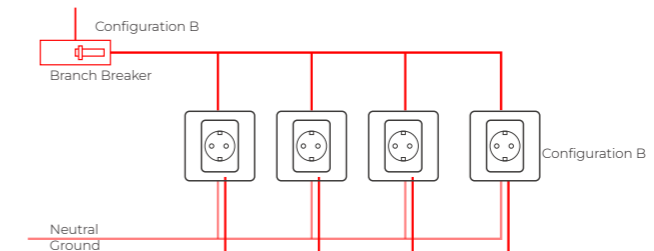
1. Bitte stellen Sie sicher, dass die Steckdose eingeschaltet ist und das Stromnetz mit Spannung versorgt wird.

2. Um die Effizienz der Stromerzeugung zu maximieren und die Sicherheit zu erhöhen, wird empfohlen, das Gerät an einen Stromkreis mit möglichst wenigen oder keinen weiteren Verbrauchern anzuschließen.

3. Geeigneten Stromkreis wählen: Beim Anschluss des Sunshare Glory E1500 an einen Stromkreis ist es wichtig, die passende Konfiguration auszuwählen, um einen sicheren und effizienten Betrieb zu gewährleisten.



Diese Konfiguration ist nicht geeignet für den Anschluss des Sunshare Glory E1500, da hier mehrere Verbraucher wie Steckdosen, Beleuchtung und Geräte mit hoher Leistung (z. B. Geschirrspüler, Waschmaschine) angeschlossen sind. Solche unvorhersehbaren Hochstromverbraucher erhöhen das Risiko einer Überlastung des Stromkreises während der Einspeisung.



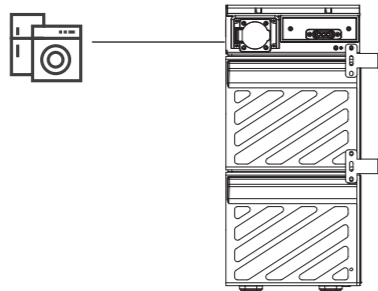
Diese Konfiguration ist ideal für den Anschluss des Sunshare Glory E1500, da sie nur Steckdosen und keine Geräte umfasst. Es besteht keine Gefahr, dass der Strom im Abzweigstromkreis überschritten wird, wie in Konfiguration A.

## 4.6 Anschluss von Mikrowechselrichtern / Off-Grid-Verbrauchern

### 1. Anschluss von Off-Grid-Verbrauchern

Die flexible Steckdose des Sunshare Glory E1500 ist eine Schuko-Steckdose. Verwenden Sie ein AC-Kabel mit Schuko-Stecker, um den Off-Grid-Port des Sunshare Glory E1500 mit Haushaltsgeräten zu verbinden. Achten Sie dabei darauf, dass die Leistung der angeschlossenen Geräte die zulässige Maximalleistung nicht überschreitet.

Für wichtige Haushaltsgeräte unterstützt die flexible Steckdose auch die Notstromversorgung (EPS) und kann innerhalb von 200 Millisekunden automatisch von Netzstrom auf die Versorgung durch den Sunshare Glory E1500 umschalten.



#### Hinweis:

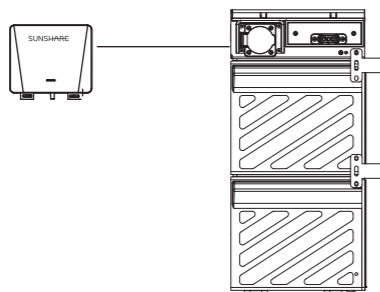
Achten Sie beim Anschluss von Geräten darauf, dass die Leistung des angeschlossenen Geräts die maximale Ausgangsleistung der flexiblen Steckdose des Sunshare Glory E1500 nicht überschreitet.

Die maximal zulässige Ausgangsleistung ist in der nachfolgenden Tabelle angegeben:

Batterie	Stabile Leistung (W)	IMomentane Spitzenleistungsgrenze (W) 10-Sekunden-Schutzabschaltung
1	750	1200
2	1200	1800
3	1200	1800

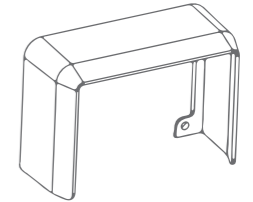
### 2. Mikro-Wechselrichter anschließen

Der flexible Anschluss des Sunshare Glory E1500 kann auch an einen 800-W-Mikro-Wechselrichter angeschlossen werden.



#### Hinweis:

Stellen Sie sicher, dass die Ausgangsspannung und der Kurzschlussstrom des externen Wechselrichters innerhalb der zulässigen Grenzen des Offgrid-AC-Ausgangs liegen. Die maximale Eingangsleistung beträgt 800W. Eine zusätzliche Schutzabdeckung für den Schukostecker ist auf der offiziellen Website von Sunshare erhältlich, um eine bessere Wasserdichtigkeit zu gewährleisten.



## 5. App-Download & Registrierung

### 5.1 App herunterladen

1. Scannen Sie den QR-Code
2. Oder suchen Sie im Google Play Store bzw. im Apple App Store nach „iShareCloud Official“ und laden Sie die App herunter.



iOS



Android

### 5.2 Anmeldung

1. Öffnen Sie die iShareCloud-App
2. Folgen Sie den Anweisungen, um ein Konto zu registrieren und sich einzuloggen.
3. Wenn Sie Zugriff auf den App-Forum-Bereich wünschen, wählen Sie bei der Registrierung bitte „Deutschland“ als Region aus.

### 5.3 Netzwerkeinrichtung

#### 1. Netzwerkkonfiguration

Stellen Sie vor der Konfiguration sicher, dass die Internetverbindung stabil ist und das WLAN-Signal stark ist. Platzieren Sie das Gerät nicht zu weit vom Router entfernt.

#### Schritt 1

Falls das Glory-Gerät ausgeschaltet ist, drücken Sie den Knopf für 3 Sekunden, um es einzuschalten.

#### Schritt 2

Halten Sie die Taste 7 Sekunden lang gedrückt, um den WLAN-Modus zu aktivieren.

Wenn die LED-Anzeige in einem blauen „Atemlicht“ pulsiert, ist das Gerät bereit für die Konfiguration.

Anschließend leuchtet das blaue Licht laufend im Uhrzeigersinn, was die aktive Konfiguration signalisiert.

#### Schritt 3

- Lassen Sie das Gerät eingeschaltet.

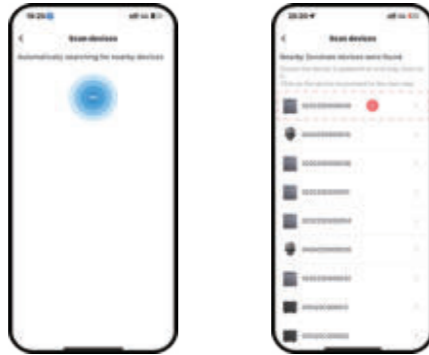
- Tippen Sie in der App auf [Gerät hinzufügen].



#### Schritt 4

Die iShareCloud-App sucht nun automatisch nach dem Gerät. Sobald es erkannt wurde, erscheint es in der Geräteliste.

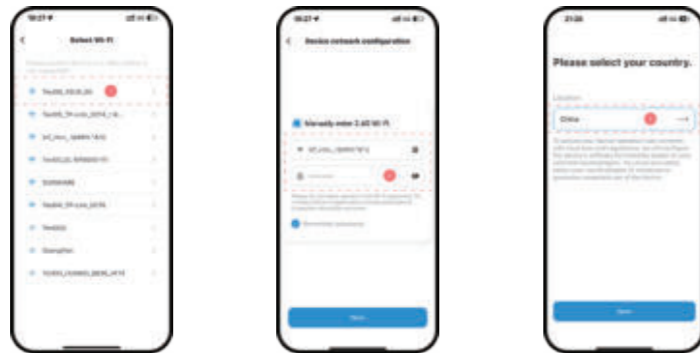
- Vergewissern Sie sich, dass Bluetooth auf Ihrem Smartphone aktiviert ist und die App Zugriff auf Bluetooth und WLAN hat.



#### Schritt 5

Nach erfolgreicher Bluetooth-Verbindung wählen Sie das gewünschte WLAN-Netzwerk aus und geben das Passwort ein.

- Hinweis: Das Gerät unterstützt ausschließlich 2,4GHz-WLAN.
- Achten Sie darauf, dass das Passwort korrekt ist..



#### Schritt 6

Der Glory sollte nun erfolgreich mit dem WLAN verbunden sein.

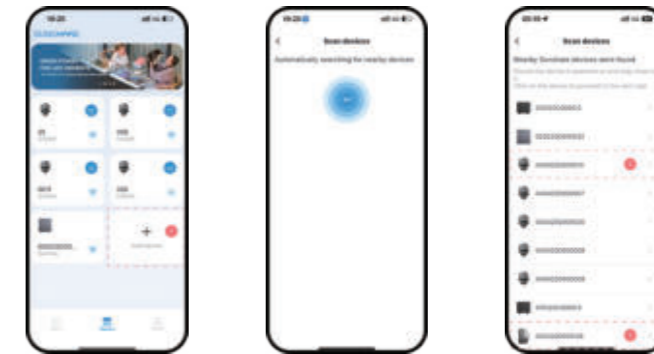
Wenn die Einrichtung fehlschlägt, prüfen Sie Folgendes:

- Funktioniert der WLAN-Router ordnungsgemäß?
- Ist der Router nah genug am Gerät positioniert?
- Ist das WLAN-Passwort korrekt eingegeben?

### 5.4 Smart-Home-Geräte hinzufügen (Optional)

Sobald die Netzwerkkonfiguration für das Glory erfolgreich abgeschlossen ist, können Sie die Schaltfläche "Hinzufügen" drücken, um intelligente Messgeräte und intelligente Steckdosen hinzuzufügen. Dadurch können mehr Strategien zur Energienutzung eingeleitet werden.

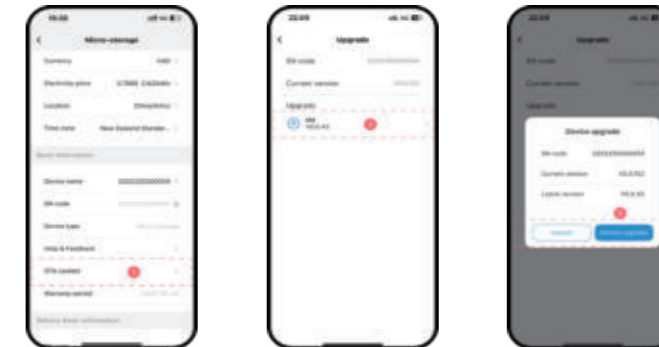
Anmerkung: Bitte stellen Sie sicher, dass die intelligenten Messgeräte und die intelligenten Steckdosen mit demselben Wi-Fi-Netzwerk verbunden sind wie das Glory, um eine effizientere und genauere Echtzeitplanung Ihrer Haushaltsenergie zu ermöglichen.



### 5.5 Firmware-Update

Stellen Sie sicher, dass alle Geräte mit WLAN verbunden sind und eine stabile Internetverbindung haben.

1. Falls ein wichtiges Firmware-Update für Sunshare-Geräte verfügbar ist, führt Sie die App durch den Prozess. Schalten Sie die Geräte ein und verbinden Sie sie mit WLAN, bevor Sie das Update starten.
2. Falls kein Update erforderlich ist, können Sie diesen Schritt überspringen.



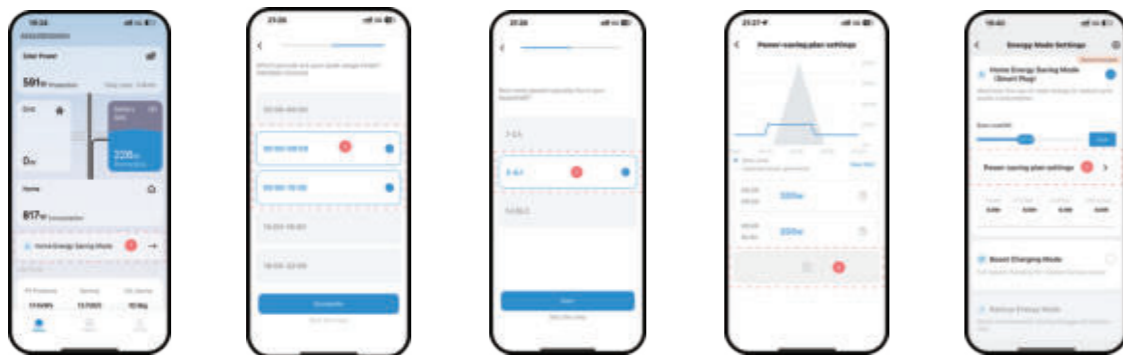
Hinweis: Updates können einige Minuten dauern. Bei einem Fehler prüfen Sie, ob die Geräte aktiviert und mit WLAN verbunden sind.

### 5.6 Energiesparmodus-Einstellung

Sie können in der App einen Energiezeitplan für Ihr Zuhause einrichten, um den Eigenverbrauch der Solaranlage zu optimieren. Es stehen drei intelligente Betriebsmodi zur Verfügung:

Modus 1: Stromsparmmodus für den Haushalt

- ◆ Wenn ein Smart Meter eingerichtet ist, regelt dieser in Echtzeit die Einspeisung und Speicherung basierend auf dem Strombedarf des gesamten Haushalts – ohne Solarstrom zu verschwenden. After configuring only smart plug, it will monitor your household appliances' load which connect with
- ◆ Wenn nur ein Smart Plug konfiguriert ist, wird der Energiebedarf angeschlossener Haushaltsgeräte überwacht. Der Glory regelt daraufhin die Entladung entsprechend. You can select the number of household members and peak electricity usage periods to enable the system to automatically allocate power for your household. You may also customize the base load .
- ◆ Sie können die Anzahl der Haushaltsmitglieder sowie Spitzenverbrauchszeiten einstellen. Das System weist dann automatisch passende Energiemengen zu. Zusätzlich können Sie Lastprofile und Zeitfenster individuell konfigurieren.

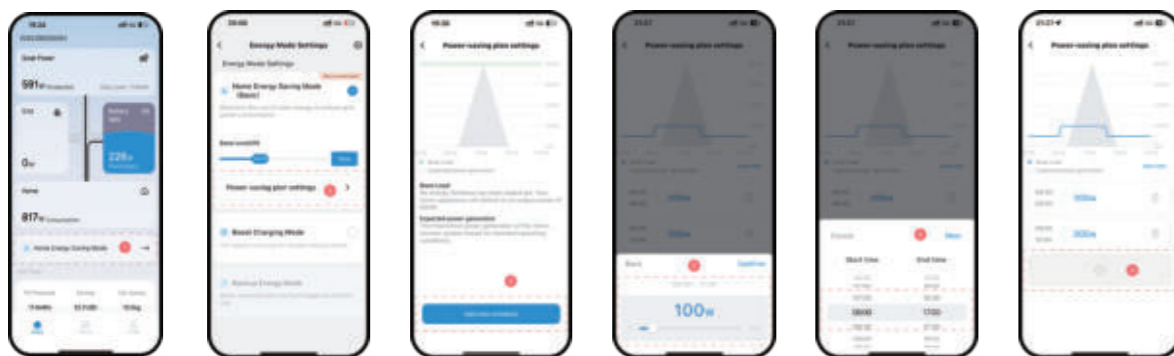


#### Ohne Smart Meter oder Smart Plug:

- ◆ Der Glory liefert Strom gemäß dem festgelegten Zeitplan und Energiebedarf.
- ◆ Überschüssige Energie kann optional im Akku gespeichert und zu einem späteren Zeitpunkt genutzt werden – z.B. bei hoher Last.

#### Modus 2: Schnelllade-Modus

- ◆ Für Notfälle gedacht: In diesem Modus lädt der Glory die Batterie mit maximaler Geschwindigkeit vollständig auf.



#### Modus 3: Backup-Energie-Modus (Notstrombetrieb)

- ◆ Wird das Gerät vom Stromnetz getrennt, wechselt es automatisch in den Backup-Modus.
- ◆ Die gespeicherte Energie steht dann als Notstromquelle zur Verfügung.



#### Hinweis:

Wenn ein Mikro-Wechselrichter mit dem Offgrid-Ausgang verbunden ist, muss dieser vor Aktivierung des Backup-Modus getrennt werden.

### 5.7 Weitere Hinweise

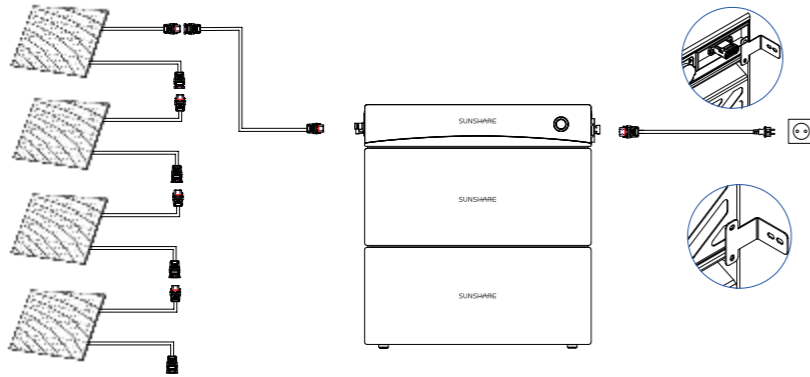
- ◆ Bei Störungen erhalten Sie eine Fehlermeldung im Mitteilungszentrum der App. Befolgen Sie dortige Anweisungen zur Fehlerbehebung.
- ◆ Für weiterführende Hilfe können Sie jederzeit eine Anfrage über „Hilfe & Feedback“ einreichen oder sich direkt an das After-Sales-Team wenden.



## 6. Wartung

### 6.1 Demontage

1. Drücken Sie die Taste der Sunshare E1500 zum Ausschalten.
2. AC-Kabel trennen. Ziehen Sie zuerst den Netzstecker aus der Haushaltssteckdose. Lösen Sie anschließend die Verriegelung und entfernen Sie den AC-Stecker vom Gerät.
3. PV-Kabel trennen:  
Trennen Sie zunächst den Stecker auf der Seite der Solarmodule. Danach lösen Sie den Anschluss am Gerät, indem Sie die Verriegelung betätigen und das Kabel entfernen.
4. Befestigungshalter lösen:  
Entfernen Sie die Halterung, mit der das Gerät an der Wand befestigt ist. Anschließend lösen Sie die Halterungen zwischen Wechselrichter, Batteriepaket und ggf. weiteren Zusatzbatterien.
5. Geräte abbauen:  
Entfernen Sie zunächst den Wechselrichter, indem Sie ihn nach oben aus der Halterung herausheben. Danach entnehmen Sie die Batteriemodule nacheinander von oben nach unten.
6. Lagerung:  
Lagern Sie die demontierten Komponenten in einem trockenen Innenraum, fern von direkter Sonneneinstrahlung sowie entflammaren Materialien.  
Die empfohlene Lagertemperatur liegt zwischen  $-20^{\circ}\text{C}$  und  $+65^{\circ}\text{C}$ .



## 7. Fehlersuche

7.1 Wenn die LED-Anzeige 2 Sekunden lang gelb blinkt, bedeutet dies, dass die Wi-Fi-Verbindung des Systems gestört ist. Bitte überprüfen Sie, ob ein Problem mit dem Wi-Fi vorliegt, starten Sie den Router neu und überprüfen Sie dann, ob die Verbindung wieder normal funktioniert.

7.2 Wenn die LED-Anzeige 1 Sekunde lang rot blinkt, bedeutet dies, dass ein Fehler im System aufgetreten ist. Diese Fehlerinformation wird in der APP angezeigt, und Sie können die von der APP bereitgestellten Lösungen zur Fehlerbehebung befolgen, um den Fehler zu beheben. Alternativ können Sie auch die folgenden Schritte durchführen, um das Problem zu beheben:

Drücken Sie zunächst 3 Sekunden lang die Einschalttaste des Sunshare Glory E1500, um das System auszuschalten; ziehen Sie dann den Stecker des AC-Kabels, des PV-Kabels und aller elektrischen Geräte, die an die flexible Steckdose angeschlossen sind.

Führen Sie dann die folgenden Kontrollen durch:

1. Prüfen Sie, ob es irgendwelche Anomalien in den PV- und AC-Leitungsverbindungen gibt;
2. Überprüfen Sie die Batterieanschlüsse auf etwaige Probleme und stellen Sie sicher, dass die gestapelten Stecker fest eingesteckt sind;
3. Untersuchen Sie den unteren Stecker des letzten Batteriesatzes auf Fremdkörper oder eingedrungenes Wasser;
4. Prüfen Sie, ob die Leistung der an die flexible Steckdose angeschlossenen elektrischen Geräte die maximal zulässige Leistung des Geräts nicht überschreitet;

Schließen Sie nach Abschluss der oben genannten Prüfungen die AC- und PV-Kabel wieder an, und halten Sie dann die Netztaaste 3 Sekunden lang gedrückt, um das System neu zu starten.

Wenn das Problem nach der Durchführung dieser Schritte weiterhin besteht, wenden Sie sich bitte an

## Spezifikationen

### Sunshare Glory

Model SR-S1K2EEU

### PV Input

Max. Input Power	2400W (1200W*2)
Max. Input Voltage	59Vdc
Max. Input Current	30Adc
MPPT Voltage Range	22-57Vdc
MPPT Voltage Range(full load)	40-45Vdc
Number of MPPT Channel	2

### AC Input

Rated Input Power	1200W
Rated Input Current	5.22Aac
Rated Grid Voltage/Frequency	230Vac,50Hz/60Hz
Max. Input Current	8Aac

### AC Output(On-grid)

Rated Output Power 800W

Rated Output Current 3.48Aac

Rated Grid Voltage/  
Frequency 230Vac,50Hz/60Hz

### AC Output(Off-grid)

Normal Output Voltage/  
Frequency 230Vac,50Hz

Normal Output Power 1200W  
(at least 2 batteries)

Max. Power(Duration) 1800W (10s)

### Battery Info.

Battery Type	Semi-Solid-State Battery (LiFePO <sub>4</sub> )	Working Temperature	-20~55 C
Battery Rated Capacity	53Ah/1526.4Wh	Battery Life Cycle	7000
Battery Rated Voltage	28.8V	Charging Temperature	0 C~+55 C
Expandable Battery Quantity	3 (Max)	Discharging Temperature	-20 C~+55 C

### General Info.

Ingress Protection	IP65	Wireless Connection
Protective Class	Class I	Max. Altitude
Over Voltage Category	DC II/ACIII	Hybrid Dimension (L*W*D)
Cooling Strategy	Natural Convection	Hybrid Weight
Temperature	-20 C to 55 C	Single battery Dimension (L*W*D)
Humidity	0%~95%	Single battery Weight

Die technischen Daten können ohne vorherige Ankündigung geändert werden.

Technische Spezifikationen können ohne vorherige Ankündigung geändert werden.

Gemäß den geltenden Gesetzen und Vorschriften behält sich Sunshare das alleinige Recht zur Auslegung dieses Dokuments sowie aller damit verbundenen Produktunterlagen vor – darunter z.B. Garantiezeiträume, Serviceberechtigung oder andere Bestimmungen.

Sunshare behält sich außerdem das Recht vor, dieses Dokument bei Produktänderungen anzupassen, zu aktualisieren oder ganz aufzuheben, ohne vorherige Ankündigung.